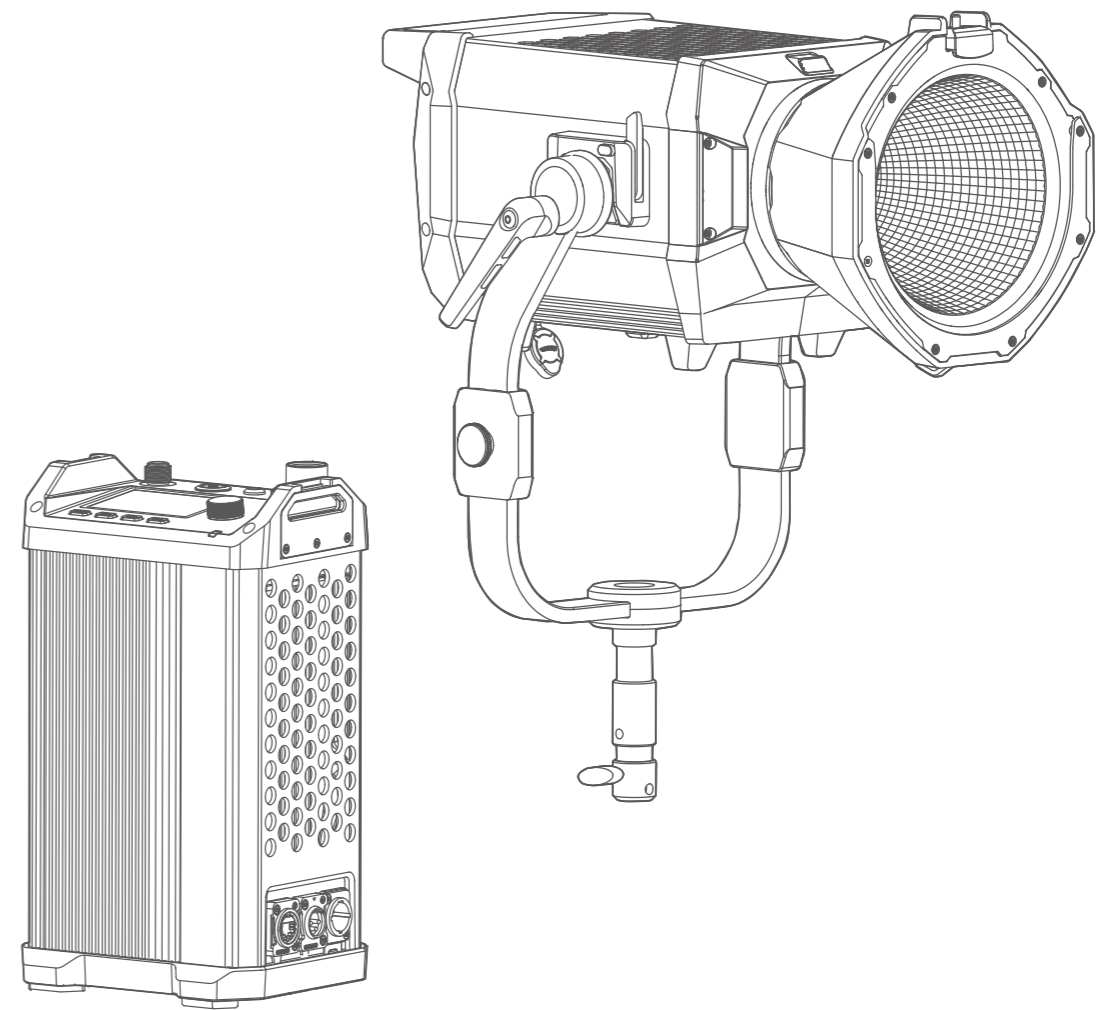


DMX模式表版本: V1.1
控制器固件版本: V1.06

DMX mode specification version: V1.1
Controller firmware version: V1.06

Godox



深圳市神牛摄影器材有限公司

地址: 深圳市宝安区福海街道塘尾社区耀川工业区厂房2栋

电话: 0755-29609320(8062) 传真: 0755-25723423 邮箱: godox@godox.com

GODOX Photo Equipment Co.,Ltd.

Add.: Building 2, Yaochuan Industrial Zone, Tangwei Community, Fuhai Street, Bao'an District, Shenzhen 518103, China

Tel: +86-755-29609320(8062) Fax: +86-755-25723423 E-mail: godox@godox.com

godox.com Made in China | 705-M600R0-07

KNOWLED M600R

DMX模式表

DMX Mode Specification

DMX模式表如有变更, 恕不另行通知, 可登录神牛官网 <https://www.godox.com.cn> 查看最新DMX模式表。
The DMX mode specification may subject to change without notice. Please check the latest electrical version on our official website <https://www.godox.com>.

05: RGBWW 8Bit 模式

DMX 通道	功能	参数名	DMX值 8Bit		实际参数值 8Bit	
8Bit	RGBWW		起始值	结束值	起始值	结束值
1		亮度	0	255	0.0%	100.0%
2		R (红光)	0	255	0.0%	100.0%
3		G (绿光)	0	255	0.0%	100.0%
4		B (蓝光)	0	255	0.0%	100.0%
5		W (冷白光)	0	255	0.0%	100.0%
6	W (暖白光)	0	255	0.0%	100.0%	

增强通道：用户打开该功能后 DMX 模式将新增扩展功能通道,具体新增如下表.打开增强通道将占用更多通道,默认该设置为关闭状态。

DMX 通道	功能	参数名	DMX值 8Bit		实际参数值 8Bit		
7		模式	0	9	常规模式		
			10	19	高速模式		
			20	29	低亮模式		
			30	255	预留		
			8	RGBWW	频率	0	9
10	19	2					
20	29	3					
30	39	4					
40	49	5					
50	59	6					
60	69	7					
70	79	8					
80	89	9					
90	99	10					
100	109	11					
110	255	预留					
9		平滑度	0			9	默认
			10			19	平滑
			20			29	关闭
			30	255	预留		

06: CCT+HSI 8Bit 模式

DMX 通道	功能	参数名	DMX值 8Bit		实际参数值 8Bit	
8Bit	CCT+HSI		起始值	结束值	起始值	结束值
1		亮度	0	255	0.0%	100.0%
2		色温	0	255	1800K	10000K
3		绿品	0	10	中性 /无光效	
			11	20	全-绿-100%	
			21	119	-99%~-1%	
	120		145	中性/无光效		
	146		244	1%-99%		
	245	255	全+绿100%			
4	显化	0	255	0	100	
5	色相	0	255	0	360	
6	饱和度	0	255	0	100	

增强通道：用户打开该功能后 DMX 模式将新增扩展功能通道,具体新增如下表.打开增强通道将占用更多通道,默认该设置为关闭状态。

DMX 通道	功能	参数名	DMX值 8Bit		实际参数值 8Bit		
7		模式	0	9	常规模式		
			10	19	高速模式		
			20	29	低亮模式		
			30	255	预留		
			8	CCT+HSI	频率	0	9
10	19	2					
20	29	3					
30	39	4					
40	49	5					
50	59	6					
60	69	7					
70	79	8					
80	89	9					
90	99	10					
100	109	11					
110	255	预留					
9		平滑度	0			9	默认
			10			19	平滑
			20			29	关闭
			30	255	预留		

07: CCT+RGBW 8Bit 模式

DMX 通道	功能	参数名	DMX值 8Bit		实际参数值 8Bit	
8Bit	CCT+RGBW		起始值	结束值	起始值	结束值
1		亮度	0	255	0.0%	100.0%
2		色温	0	255	1800K	10000K
3		绿品	0	10	中性 /无光效	
			11	20	全-绿-100%	
			21	119	-99%~-1%	
	120		145	中性/无光效		
	146		244	1%-99%		
	245	255	全+绿100%			
4	显化	0	255	0	100	
5	R (红光)	0	255	0.0%	100.0%	
6	G (绿光)	0	255	0.0%	100.0%	
7	B (蓝光)	0	255	0.0%	100.0%	
8	W (白光)	0	255	0.0%	100.0%	

增强通道：用户打开该功能后 DMX 模式将新增扩展功能通道,具体新增如下表.打开增强通道将占用更多通道,默认该设置为关闭状态。

DMX 通道	功能	参数名	DMX值 8Bit		实际参数值 8Bit		
9		模式	0	9	常规模式		
			10	19	高速模式		
			20	29	低亮模式		
			30	255	预留		
			10	CCT+RGBW	频率	0	9
10	19	2					
20	29	3					
30	39	4					
40	49	5					
50	59	6					
60	69	7					
70	79	8					
80	89	9					
90	99	10					
100	109	11					
110	255	预留					
11		平滑度	0			9	默认
			10			19	平滑
			20			29	关闭
			30	255	预留		

14: X-Y 16Bit 模式

DMX 通道	功能	参数名	DMX值 16Bit		实际参数值 16Bit	
16Bit	X-Y		起始值	结束值	起始值	结束值
1-2		亮度	0	65535	0.0%	100.0%
3-4		X	0	65535	0	0.85
5-6		Y	0	65535	0	0.85

增强通道：用户打开该功能后 DMX 模式将新增扩展功能通道,具体新增如下表,打开增强通道将占用更多通道,默认该设置为关闭状态。

DMX 通道	功能	参数名	DMX值 16Bit		实际参数值 16Bit
7		模式	0	9	常规模式
			10	19	高速模式
			20	29	低亮模式
			30	255	预留
			40	49	5
8	X-Y	频率	0	9	1
			10	19	2
			20	29	3
			30	39	4
			40	49	5
			50	59	6
			60	69	7
			70	79	8
			80	89	9
			90	99	10
9		平滑度	0	9	默认
			10	19	平滑
			20	29	关闭
			30	255	预留
			40	49	5

计算公式

计算亮度

8Bit

$$\text{DMX 数值} = \frac{\text{亮度数值}}{0.3922}$$

$$\text{亮度数值} = \text{DMX 数值} \times 0.3922$$

16Bit

$$\text{DMX 数值} = \frac{\text{亮度数值}}{0.001526}$$

$$\text{亮度数值} = \text{DMX 数值} \times 0.001526$$

计算色温

8Bit

$$\text{DMX 数值} = \frac{\text{色温数值}-1800}{32.1568}$$

$$\text{色温数值} = \text{DMX 数值} \times 32.1568 + 1800$$

16Bit

$$\text{DMX 数值} = \frac{\text{色温数值}-1800}{0.1251}$$

$$\text{色温数值} = \text{DMX 数值} \times 0.1251 + 1800$$

DMX Control Priority: DMX > CRMX > Art-net&sACN

01: CCT 8Bit Mode & 10: CCT 16Bit Mode

DMX channel		Function	Parameter	DMX value 8Bit		Actual value 8Bit		DMX value 16Bit		Actual value 16Bit		
8Bit	16Bit	CCT	GM	Starting	Ending	Starting	Ending	Starting	Ending	Starting	Ending	
1	1-2			Brightness	0	255	0.0%	100.0%	0	65535	0.0%	100.0%
2	3-4			CCT	0	255	1800K	10000K	0	65535	1800K	10000K
3	5-6			0	10	Neutral/No Effect		0	04587	Neutral/No Effect		
				11	20	Full Minus Green-100%		04588	09830	Full Minus Green-100%		
				21	119	-99%~-1%		09831	30145	-99%~-1%		
				120	145	Neutral/No Effect		30146	39976	Neutral/No Effect		
				146	244	1%-99%		39977	60292	1%-99%		
				245	255	Full Plus Green 100%		60293	65535	Full Plus Green 100%		

Extend DMX Channels: The DMX mode will add extended channels when this function is turned on, as shown in the following table. Turning on the extend DMX channels will take up more channels, and this setting is off by default.

DMX channel		Function	Parameter	DMX value 8Bit		Actual value 8Bit		DMX value 16Bit		Actual value 16Bit	
4	7	CCT	Mode	0	9	Normal		0	9	Normal	
				10	19	Highspeed		10	19	Highspeed	
				20	29	Low End		20	29	Low End	
				30	255	Preset		30	255	Preset	
				40	49	5		40	49	5	
5	8		Frequency	0	9	1		0	9	1	
				10	19	2		10	19	2	
				20	29	3		20	29	3	
				30	39	4		30	39	4	
				40	49	5		40	49	5	
		50		59	6		50	59	6		
		60		69	7		60	69	7		
		70		79	8		70	79	8		
		80		89	9		80	89	9		
		90		99	10		90	99	10		
		100		109	11		100	109	11		
6	9	Smoothing	110	255	Preset		110	255	Preset		
			0	9	Default		0	9	Default		
			10	19	Smooth		10	19	Smooth		
			20	29	Off		20	29	Off		
			30	255	Preset		30	255	Preset		

02: HSI 8Bit Mode & 11: HSI 16Bit Mode

DMX channel		Function	Parameter	DMX value 8Bit		Actual value 8Bit		DMX value 16Bit		Actual value 16Bit		
8Bit	16Bit	HSI	Brightness	Starting	Ending	Starting	Ending	Starting	Ending	Starting	Ending	
1	1-2			0	255	0.0%	100.0%	0	65535	0.0%	100.0%	
2	3-4			Hue	0	255	0	360	0	65535	0	360
3	5-6			Saturation	0	255	0	100	0	65535	0	100

Extend DMX Channels: The DMX mode will add extended channels when this function is turned on, as shown in the following table. Turning on the extend DMX channels will take up more channels, and this setting is off by default.

DMX channel		Function	Parameter	DMX value 8Bit		Actual value 8Bit		DMX value 16Bit		Actual value 16Bit	
4	7	HSI	Mode	0	9	Normal		0	9	Normal	
				10	19	Highspeed		10	19	Highspeed	
				20	29	Low End		20	29	Low End	
				30	255	Preset		30	255	Preset	
5	8		Frequency	0	9	1		0	9	1	
				10	19	2		10	19	2	
				20	29	3		20	29	3	
				30	39	4		30	39	4	
				40	49	5		40	49	5	
				50	59	6		50	59	6	
		60		69	7		60	69	7		
		70		79	8		70	79	8		
		80		89	9		80	89	9		
		90		99	10		90	99	10		
		100		109	11		100	109	11		
6	9	Smoothing	110	255	Preset		110	255	Preset		
			0	9	Default		0	9	Default		
			10	19	Smooth		10	19	Smooth		
			20	29	Off		20	29	Off		
			30	255	Preset		30	255	Preset		

03: RGB 8Bit Mode & 12: RGB 16Bit Mode

DMX channel	Function	Parameter	DMX value 8Bit		Actual value 8Bit		DMX value 16Bit		Actual value 16Bit		
8Bit	16Bit		Starting	Ending	Starting	Ending	Starting	Ending	Starting	Ending	
1	1-2	RGB	Brightness	0	255	0.0%	100.0%	0	65535	0.0%	100.0%
2	3-4		R (Red light)	0	255	0.0%	100.0%	0	65535	0.0%	100.0%
3	5-6		G (Green light)	0	255	0.0%	100.0%	0	65535	0.0%	100.0%
4	7-8		B (Blue light)	0	255	0.0%	100.0%	0	65535	0.0%	100.0%

Extend DMX Channels: The DMX mode will add extended channels when this function is turned on, as shown in the following table. Turning on the extend DMX channels will take up more channels, and this setting is off by default.

DMX channel	Function	Parameter	DMX value 8Bit		Actual value 8Bit		DMX value 16Bit		Actual value 16Bit		
5	9	Mode	0	9	Normal	0	9	Normal	10	19	Highspeed
			20	29	Low End	20	29	Low End			
			30	255	Preset	30	255	Preset			
			6	10	RGB	Frequency	0	9	1	0	9
10	19	2	10	19			2				
20	29	3	20	29			3				
30	39	4	30	39			4				
40	49	5	40	49			5				
50	59	6	50	59			6				
60	69	7	60	69			7				
70	79	8	70	79			8				
80	89	9	80	89			9				
90	99	10	90	99			10				
100	109	11	100	109			11				
110	255	Preset	110	255			Preset				
7	11	Smoothing	0	9			Default	0	9	Default	10
			20	29	Off	20	29	Off			
			30	255	Preset	30	255	Preset			

04: RGBW 8Bit Mode & 13: RGBW 16 Bit Mode

DMX channel	Function	Parameter	DMX value 8Bit		Actual value 8Bit		DMX value 16Bit		Actual value 8Bit		
8Bit	16Bit		Starting	Ending	Starting	Ending	Starting	Ending	Starting	Ending	
1	1-2	RGBW	Brightness	0	255	0.0%	100.0%	0	65535	0.0%	100.0%
2	3-4		R (Red light)	0	255	0.0%	100.0%	0	65535	0.0%	100.0%
3	5-6		G (Green light)	0	255	0.0%	100.0%	0	65535	0.0%	100.0%
4	7-8		B (Blue light)	0	255	0.0%	100.0%	0	65535	0.0%	100.0%
5	9-10		W (White light)	0	255	0.0%	100.0%	0	65535	0.0%	100.0%

Extend DMX Channels: The DMX mode will add extended channels when this function is turned on, as shown in the following table. Turning on the extend DMX channels will take up more channels, and this setting is off by default.

DMX channel	Function	Parameter	DMX value 8Bit		Actual value 8Bit		DMX value 16Bit		Actual value 16Bit		
6	11	Mode	0	9	Normal	0	9	Normal	10	19	Highspeed
			20	29	Low End	20	29	Low End			
			30	255	Preset	30	255	Preset			
			7	12	RGBW	Frequency	0	9	1	0	9
10	19	2	10	19			2				
20	29	3	20	29			3				
30	39	4	30	39			4				
40	49	5	40	49			5				
50	59	6	50	59			6				
60	69	7	60	69			7				
70	79	8	70	79			8				
80	89	9	80	89			9				
90	99	10	90	99			10				
100	109	11	100	109			11				
110	255	Preset	110	255			Preset				
8	13	Smoothing	0	9			Default	0	9	Default	10
			20	29	Off	20	29	Off			
			30	255	Preset	30	255	Preset			

05: RGBWW 8Bit Mode

DMX channel	Function	Parameter	DMX value 8Bit		Actual value 8Bit	
8Bit			Starting	Ending	Starting	Ending
1	RGBWW	Brightness	0	255	0.0%	100.0%
2		R (Red light)	0	255	0.0%	100.0%
3		G (Green light)	0	255	0.0%	100.0%
4		B (Blue light)	0	255	0.0%	100.0%
5		W (Cool white light)	0	255	0.0%	100.0%
6		W (Warm white light)	0	255	0.0%	100.0%

Extend DMX Channels: The DMX mode will add extended channels when this function is turned on, as shown in the following table. Turning on the extend DMX channels will take up more channels, and this setting is off by default.

DMX channel	Function	Parameter	DMX value 8Bit		Actual value 8Bit				
7		Mode	0	9	Normal	10	19	Highspeed	
			20	29	Low End	30	255	Preset	
			8	10	RGBWW	Frequency	0	9	1
			10	19			2		
20	29	3							
30	39	4							
40	49	5							
50	59	6							
60	69	7							
70	79	8							
80	89	9							
90	99	10							
100	109	11							
110	255	Preset							
9		Smoothing	0	9			Default	10	19
			20	29	Off	30	255	Preset	

06: CCT+HSI 8Bit Mode

DMX channel	Function	Parameter	DMX value 8Bit		Actual value 8Bit			
8Bit			Starting	Ending	Starting	Ending		
1	CCT+HSI	Brightness	0	255	0.0%	100.0%		
2		CCT	0	255	1800K	10000K		
3		GM	0	10	Neutral/No Effect	11	20	Full Minus Green-100%
			21	119	-99%~-1%			
			120	145	Neutral/No Effect			
			146	244	1%~99%			
			245	255	Full Plus Green 100%			
			4	Dissolve	0	255	0	100
5		Hue	0	255	0	360		
6		Saturation	0	255	0	100		

Extend DMX Channels: The DMX mode will add extended channels when this function is turned on, as shown in the following table. Turning on the extend DMX channels will take up more channels, and this setting is off by default.

DMX channel	Function	Parameter	DMX value 8Bit		Actual value 8Bit				
7		Mode	0	9	Normal	10	19	Highspeed	
			20	29	Low End	30	255	Preset	
			8	10	CCT+HSI	Frequency	0	9	1
			10	19			2		
20	29	3							
30	39	4							
40	49	5							
50	59	6							
60	69	7							
70	79	8							
80	89	9							
90	99	10							
100	109	11							
110	255	Preset							
9		Smoothing	0	9			Default	10	19
			20	29	Off	30	255	Preset	

07: CCT+RGBW 8Bit Mode

DMX channel	Function	Parameter	DMX value 8Bit		Actual value 8Bit	
			Starting	Ending	Starting	Ending
8Bit			Starting	Ending	Starting	Ending
1	CCT+RGBW	Brightness	0	255	0.0%	100.0%
2		CCT	0	255	1800K	10000K
3		GM	GM	0	10	Neutral/No Effect
				11	20	Full Minus Green-100%
				21	119	-99%~-1%
				120	145	Neutral/No Effect
				146	244	1%-99%
				245	255	Full Plus Green 100%
4		Dissolve	0	255	0	100
5		R (Red light)	0	255	0.0%	100.0%
6	G (Green light)	0	255	0.0%	100.0%	
7	B (Blue light)	0	255	0.0%	100.0%	
8	W (White light)	0	255	0.0%	100.0%	

Extend DMX Channels: The DMX mode will add extended channels when this function is turned on, as shown in the following table. Turning on the extend DMX channels will take up more channels, and this setting is off by default.

DMX channel	Function	Parameter	DMX value 8Bit		Actual value 8Bit
			Starting	Ending	Starting
9		Mode	0	9	Normal
			10	19	Highspeed
			20	29	Low End
			30	255	Preset
10	CCT+RGBW	Frequency	0	9	1
			10	19	2
			20	29	3
			30	39	4
			40	49	5
			50	59	6
			60	69	7
			70	79	8
			80	89	9
			90	99	10
			100	109	11
11		Smoothing	0	9	Default
			10	19	Smooth
			20	29	Off
			30	255	Preset

08: FX 8Bit Mode & 15: FX 16Bit Mode

DMX channel	Function	Parameter	DMX value 8Bit		Actual value 8Bit		DMX value 16Bit		Actual value 16Bit		
			Starting	Ending	Starting	Ending	Starting	Ending	Starting	Ending	
1	FX	Effect type	Brightness	0	255	0.0%	100.0%	0	65535	0.0%	100.0%
2			0	9	FX Off	0	9	FX Off			
			10	19	Flash	10	19	Flash			
			20	29	Lightning	20	29	Lightning			
			30	39	Cloudy	30	39	Cloudy			
			40	49	Broken Bulb	40	49	Broken Bulb			
			50	59	TV	50	59	TV			
			60	69	Candle	60	69	Candle			
			70	79	Fire	70	79	Fire			
			80	89	Firework	80	89	Firework			
			90	99	Explosion	90	99	Explosion			
			100	109	Welding	100	109	Welding			
			110	119	Police Car	110	119	Police Car			
			120	129	SOS	120	129	SOS			
			130	139	RGB Cycle	130	139	RGB Cycle			
	140	149	Party	140	149	Party					
3	Flash	Type	0	255	CCT (0-127)	HSI(128-255)	0	255	CCT (0-127)	HSI(128-255)	
4		CCT/Hue	0	255	1800K/0	10000K/360	0	65535	1800K/0	10000K/360	
5		Speed	0	255	1	100	0	65535	1	100	
6	Lightning	Mode	0	255	0 Camera flash	1 Flash bulb	0	255	0 Camera flash	1 Flash bulb	
3		CCT	0	255	1800K	10000K	0	65535	1800K	10000K	
4	Cloudy	Frequency	0	255	0	20	0	65535	0	20	
5		Times	0	255	0	10	0	65535	0	10	
3	Broken Bulb	Ratio	0	255	10%	90%	0	65535	10%	90%	
4		Speed	0	255	0	100	0	65535	0	100	
3	TV	Type	0	255	CCT (0-127)	HSI(128-255)	0	255	CCT (0-127)	HSI(128-255)	
4		CCT/Hue	0	255	1800K/0	10000K/360	0	65535	1800K/0	10000K/360	
5	Candle	Speed	0	255	1	100	0	65535	1	100	
3		Type	0	255	CCT (0-127)	HSI(128-255)	0	255	CCT (0-127)	HSI(128-255)	
4	Firework	Speed	0	255	1	100	0	65535	1	100	
3		Embers	0	255	1	100	0	65535	1	100	
3	Explosion	Type	0	255	CCT (0-127)	HSI(128-255)	0	255	CCT (0-127)	HSI(128-255)	
4		CCT/Hue	0	255	1800K/0	10000K/360	0	65535	1800K/0	10000K/360	
5	Welding	Speed	0	255	1	100	0	65535	1	100	
6		Embers	0	255	1	100	0	65535	1	100	
3	SOS	Type	0	255	CCT (0-127)	HSI(128-255)	0	255	CCT (0-127)	HSI(128-255)	
4		CCT/Hue	0	255	1800K/0	10000K/360	0	65535	1800K/0	10000K/360	
3	Police Car	Color	0	255	0	7	0	255	0	7	
4		Mode	0	255	0	4	0	255	0	4	
3	RGB Cycle	Saturation	0	255	0	100	0	65535	0	100	
4		Speed	0	255	1	100	0	65535	1	100	
3	Party	Saturation	0	255	0	100	0	65535	0	100	
4		Speed	0	255	1	100	0	65535	1	100	

Extend DMX Channels: The DMX mode will add extended channels when this function is turned on, as shown in the following table. Turning on the extend DMX channels will take up more channels, and this setting is off by default.

DMX channel	Function	Parameter	DMX value 8Bit		Actual value 8Bit	DMX value 16Bit		Actual value 16Bit
			Starting	Ending	Starting	Ending	Starting	
7		Mode	0	9	Normal	0	9	Normal
			10	19	Highspeed	10	19	Highspeed
			20	29	Low End	20	29	Low End
			30	255	Preset	30	255	Preset
8		Frequency	0	9	1	0	9	1
			10	19	2	10	19	2
			20	29	3	20	29	3
			30	39	4	30	39	4
			40	49	5	40	49	5
			50	59	6	50	59	6
			60	69	7	60	69	7
			70	79	8	70	79	8
			80	89	9	80	89	9
			90	99	10	90	99	10
			100	109	11	100	109	11
9		Smoothing	0	9	Default	0	9	Default
			10	19	Smooth	10	19	Smooth
			20	29	Off	20	29	Off
			30	255	Preset	30	255	Preset

09: GEL 8Bit Mode & 16: GEL 16Bit Mode

DMX channel		Function	Parameter	DMX value 8Bit		Actual value 8Bit		DMX value 16Bit		Actual value 16Bit	
8Bit	16Bit			Starting	Ending	Starting	Ending	Starting	Ending	Starting	Ending
1	1-2	GEL	Brightness	0	255	0.0%	100.0%	0	255	0.0%	100.0%
2	3		R-GEL/L-GEL	0	255	≤128: R-GEL >128: L-GEL		0	255	≤128: R-GEL >128: L-GEL	
3	4		Type	0	50	R-GEL: COR. L-GEL: COR.		0	50	R-GEL: COR. L-GEL: COR.	
				51	101	R-GEL: CAL. L-GEL: COLOR.		51	101	R-GEL: CAL. L-GEL: COLOR.	
				102	152	R-GEL: SPC. L-GEL: 600		102	152	R-GEL: SPC. L-GEL: 600	
				153	203	R-GEL: CINE. L-GEL: COS.		153	203	R-GEL: CINE. L-GEL: COS.	
				204	255	L-GEL: 700		204	255	L-GEL: 700	
4	5		CCT	0	255	≤128: 3200K >128: 5600K		0	255	≤128: 3200K >128: 5600K	
5	6-7		Color number	0	255	0	Total color numbers for different categories(refer to the table below)	0	255	0	Total color numbers for different categories(refer to the table below)
6	8		Fine-tune hue	0	255	0-10 Hue=0; 11-255 Hue (-10---+10)		0	255	0-10 Hue=0; 11-255 Hue (-10---+10)	
7	9	Fine-tune saturation	0	255	0-10 Sat=0; 11-255 Sat (-20---+20)		0	255	0-10 Sat=0; 11-255 Sat (-20---+20)		

Extend DMX Channels: The DMX mode will add extended channels when this function is turned on, as shown in the following table. Turning on the extend DMX channels will take up more channels, and this setting is off by default.

DMX channel		Function	Parameter	DMX value 8Bit		Actual value 8Bit		DMX value 16Bit		Actual value 16Bit		
8	10			GEL	Mode	0	9	Normal		0	9	Normal
9	11	Frequency	10			19	Highspeed		10	19	Highspeed	
			20			29	Low End		20	29	Low End	
			30			255	Preset		30	255	Preset	
			0			9	1		0	9	1	
			10		19	2		10	19	2		
10	12	Smoothing	20		29	3		20	29	3		
			30		39	4		30	39	4		
			40		49	5		40	49	5		
			50		59	6		50	59	6		
			60	69	7		60	69	7			
10	12	Smoothing	70	79	8		70	79	8			
			80	89	9		80	89	9			
			90	99	10		90	99	10			
			100	109	11		100	109	11			
			110	255	Preset		110	255	Preset			
10	12	Smoothing	0	9	Default		0	9	Default			
			10	19	Smooth		10	19	Smooth			
			20	29	Off		20	29	Off			
			30	255	Preset		30	255	Preset			

R-GEL

DMX channel	COR. (in total 33)	
	Name	Model
0-1	Full CTB	3202
2-3	3/4 CTB	3203
4-5	1/2 CTB	3204
6-7	1/3 CTB	3206
8-9	1/4 CTB	3208
10-11	1/8 CTB	3216
12-13	Double	3220
14-15	CTB Full	3407
16-17	CTO 3/4 CTO	3411
18-19	1/2 CTO	3408
20-21	1/4 CTO	3409
22-23	1/8 CTO	3410
24-25	Double CTO	3420
26-27	Full CTS	3441
28-29	1/2 CTS	3442
30-31	1/4 CTS	3443
32-33	1/8 CTS	3444
34-35	Full Plusgreen	3304
36-37	1/2 Plusgreen	3315
38-39	1/4 Plusgreen	3316
40-41	1/8 Plusgreen	3317
42-43	Full Minusgreen	3308
44-45	3/4 Minusgrn	3309
46-47	1/2 Minusgreen	3313
48-49	1/4 Minusgreen	3314
50-51	1/8 Minusgreen	3318
52-53	Fluorofilter	3310
54-55	Industrial Vapor	3150
56-57	Urban Vapor	3152
58-59	Tough Y-1	3107
60-61	Tough MT 54	3134
62-63	Tough MTY	3106
64-65	Tough MT2	3102

DMX channel	CAL. (in total 33)	
	Name	Model
0-1	15 Blue	4215
2-3	30 Blue	4230
4-5	60 Blue	4260
6-7	90 Blue	4290
8-9	7 Cyan	4307
10-11	15 Cyan	4315
12-13	30 Cyan	4330
14-15	60 Cyan	4360
16-17	90 Cyan	4390
18-19	15 Green	4415
20-21	30 Green	4430
22-23	60 Green	4460
24-25	90 Green	4490
26-27	15 Yellow	4515
28-29	30 Yellow	4530
30-31	60 Yellow	4560
32-33	90 Yellow	4590
34-35	15 Red	4615
36-37	30 Red	4630
38-39	60 Red	4660
40-41	90 Red	4690
42-43	15 Magenta	4715
44-45	30 Magenta	4730
46-47	60 Magenta	4760
48-49	90 Magenta	4790
50-51	15 Pink	4815
52-53	30 Pink	4830
54-55	60 Pink	4860
56-57	90 Pink	4890
58-59	15 Lavender	4915
60-61	30 Lavender	4930
62-63	60 Lavender	4960
64-65	90 Lavender	4990

DMX channel	SPC. (in total 10)	
	Name	Model
0-1	VS Red	2001
2-3	VS Orange	2002
4-5	VS Yellow	2003
6-7	VS Green	2004
8-9	VS Cyan	2005
10-11	VS Azure	2006
12-13	VS Blue	2007
14-15	VS Indigo	2008
16-17	VS Violet	2009
18-19	VS Magenta	2010

DMX channel	CINE. (in total 46)	
	Name	Model
0-1	Bastard Amber	2
2-3	Pale Bastard Amber	302
4-5	No Color Straw	6
6-7	Pale Gold	8
8-9	Daffodil	310
10-11	Straw	12
12-13	Light Amber	16
14-15	Gallo Gold	316
16-17	Light Flame	17
18-19	Flame	18
20-21	Mayan Sun	318
22-23	Golden Amber	21
24-25	Soft Golden Amber	321
26-27	Orange	23
28-29	Henna Sky	325
30-31	Light Red	26
32-33	No Color Pink	33
34-35	Blush Pink	333
36-37	Flesh Pink	34
38-39	Pale Rose Pink	37
40-41	Salmon	41
42-43	Deep Salmon	42
44-45	Middle Rose	44
46-47	Light Rose Purple	47
48-49	Surprise Pink	51
50-51	No Color Blue	60
52-53	Clearwater	360
54-55	Booster Blue	62
56-57	Tipton Blue	362
58-59	Blue Bell	364
60-61	Daylight Blue	65
62-63	Tharon Delft Blue	365
64-65	Cerulean Blue	375
66-67	Bermuda Blue	376
68-69	Green Blue	77
70-71	Alice Blue	378
72-73	Primary Blue	80
74-75	Baldassari Blue	381
76-77	Medium Blue	83
78-79	Pale Yellow Green	87
80-81	Light Green	88
82-83	Moss Green	89
84-85	Primary Green	91
86-87	Turquoise	92
88-89	Blue Green	93
90-91	Chocolate	99

L-GEL

DMX channel	COR. (in total 39)	
	Name	Model
0-1	Double CTB	200
2-3	Full CTB	201
4-5	3/4 CTB	281
6-7	1/2 CTB	202
8-9	1/4 CTB	203
10-11	1/8 CTB	218
12-13	Double CTO	287
14-15	CTO Full	204
16-17	CTO 3/4 CTO	285
18-19	1/2 CTO	205
20-21	1/4 CTO	206
22-23	1/8 CTO	223
24-25	1 1/2 CTB	283
26-27	1 1/2 CTO	286
28-29	Full CTS	441
30-31	1/2 CTS	442
32-33	1/4 CTS	443
34-35	1/8 CTS	444
36-37	Full CTO + .3 ND	207
38-39	Full CTO + .6 ND	208
40-41	L.C.T. Yellow (Y1)	212
42-43	White Flame Green	213
44-45	LEE Fluorescent Green	219
46-47	Super Correction L.C.T.	230
48-49	Yellow Super Correction	232
50-51	W.F. Green	236
52-53	H.M.I. (to Tungsten)	237
54-55	C.I.D. (to Tungsten)	238
56-57	C.S.I. (to Tungsten)	241
58-59	LEE Fluorescent 5700 Kelvin	242
60-61	LEE Fluorescent 4300 Kelvin	243
62-63	LEE Fluorescent 3600 Kelvin	244
64-65	LEE Plus Green	245
66-67	1/2 Plus Green	246
68-69	1/4 Plus Green	278
70-71	1/8 Plus Green	247
72-73	LEE Minus Green	248
74-75	1/2 Minus Green	249
76-77	1/4 Minus Green	279

DMX channel	COLOR. (in total 89)	
	Name	Model
0-1	Rose Pink	2
2-3	Lavender Tint	3
4-5	Medium Bastard Amber	4
6-7	Pale Yellow	7
8-9	Dark Salmon	8
10-11	Pale Amber Gold	9
12-13	Medium Yellow	10
14-15	Straw Tint	13
16-17	Surprise Peach	17
18-19	Fire	19
20-21	Medium Amber	20
22-23	Gold Amber	21
24-25	Dark Amber	22
26-27	Scarlet	24
28-29	Sunset Red	25
30-31	Bright Red	26
32-33	Light Pink	35
34-35	Medium Pink	36
36-37	Dark Magenta	46
38-39	Rose Purple	48
40-41	Light Lavender	52
42-43	Paler Lavender	53
44-45	Lavender	58
46-47	Mist Blue	61
48-49	Pale Blue	63
50-51	Sky Blue	68
52-53	Evening Blue	75
54-55	Just Blue	79
56-57	Deeper Blue	85
58-59	Lime Green	88
60-61	Moss Green	89
62-63	Dark Yellow Green	90
64-65	Spring Yellow	100
66-67	Yellow	101
68-69	Light Amber	102
70-71	Straw	103
72-73	Deep Amber	104
74-75	Primary Red	106
76-77	Light Rose	107
78-79	English Rose	108
80-81	Light Salmon	109
82-83	Middle Rose	110
84-85	Dark Pink	111
86-87	Magenta	113
88-89	Peacock Blue	115
90-91	Steel Blue	117
92-93	Light Blue	118
94-95	Deep Blue	120
96-97	LEE Green	121
98-99	Fern Green	122
100-101	Dark Green	124
102-103	Smokey Pink	127
104-105	Bright Pink	128
106-107	Marine Blue	131
108-109	Golden Amber	134
110-111	Deep Golden Amber	135
112-113	Pale Lavender	136
114-115	Special Lavender	137
116-117	Pale Green	138
118-119	Summer Blue	140
120-121	Pale Violet	142
122-123	Pale Navy Blue	143
124-125	No Color Blue	144
126-127	Apricot	147
128-129	Bright Rose	148
130-131	Gold Tint	151
132-133	Pale Gold	152
134-135	Pale Salmon	153
136-137	Pale Rose	154
138-139	Chocolate	156
140-141	Pink	157
142-143	No Color Straw	159
144-145	Slate Blue	161
146-147	Bastard Amber	162
148-149	Flame Red	164
150-151	Daylight Blue	165
152-153	Lilac Tint	169
154-155	Deep Lavender	170
156-157	Dark Steel Blue	174
158-159	Loving Amber	176
160-161	Dark Lavender	180
162-163	Light Red	182
164-165	Flesh Pink	192
166-167	Surprise Pink	194
168-169	Zenith Blue	195
170-171	True Blue	196
172-173	Alice Blue	197
174-175	Palace Blue	198
176-177	Regal Blue	199

DMX channel	600 (in total 9)	
	Name	Model
0-1	Arctic White	600
2-3	Silver	601
4-5	Platinum	602
6-7	Moonlight White	603
8-9	Full CT 85	604
10-11	Industry Sodium	650
12-13	HI Sodium	651
14-15	Urban Sodium	652
16-17	LO Sodium	653

DMX channel	COS. (in total 18)	
	Name	Model
0-1	Cosmetic Peach	184
2-3	Cosmetic Silver Rose	186
4-5	Cosmetic Rouge	187
6-7	Cosmetic Highlight	188
8-9	Cosmetic Silver Moss	189
10-11	Cosmetic Aqua Blue	191
12-13	Lily Frost	705
14-15	Shanklin Frost	717
16-17	Half Shanklin Frost	718
18-19	Durham Daylight Frost	720
20-21	Hampshire Rose	749
22-23	Durham Frost	750
24-25	Soft Amber Key 1	774
26-27	Soft Amber Key 2	775
28-29	Moroccan Frost	791
30-31	Blue Diffusion	217
32-33	Blue Frost	221
34-35	Daylight Blue frost	224

DMX channel	700 (in total 41)	
	Name	Model
0-1	Perfect Lavender	700
2-3	Provence	701
4-5	Special Pale Lavender	702
6-7	Cold Lavender	703
8-9	Lily	704
10-11	King Fals Lavender	706
12-13	Cool Lavender	708
14-15	Electric Lilac	709
16-17	Spir Special Blue	710
18-19	Cold Blue	711
20-21	Bedford Blue	712
22-23	Elysian Blue	714
24-25	Cabana Blue	715
26-27	Mikkel Blue	716
28-29	Colour Wash Blue	719
30-31	Berry Blue	721
32-33	Virgin Blue	723
34-35	Ocean Blue	724
36-37	Old Steel Blue	725
38-39	Steel Green	728
40-41	Liberty Green	730
42-43	Dirty Ice	731
44-45	Damp Squib	733
46-47	JAS Green	738
48-49	Bram Brown	742
50-51	Dirty White	744
52-53	Brown	746
54-55	Easy White	747
56-57	Seedy Pink	748
58-59	Wheat	763
60-61	Sun Colour Straw	764
62-63	LEE Yellow	765
64-65	Cardbox Amber	773
66-67	Nectarine	776
68-69	Millenium Gold	778
70-71	Bastard Pink	779
72-73	Terry Red	781
74-75	Blood Red	789
76-77	Moroccan Pink	790
78-79	Pretty n'Pink	794
80-81	Magical Magenta	795

14: X-Y 16Bit Mode

DMX channel	Function	Parameter	DMX value 16Bit		Actual value 16Bit	
			Starting	Ending	Starting	Ending
16Bit			Starting	Ending	Starting	Ending
1-2	X-Y	Brightness	0	65535	0.0%	100.0%
3-4		X	0	65535	0	0.85
5-6		Y	0	65535	0	0.85

Extend DMX Channels: The DMX mode will add extended channels when this function is turned on, as shown in the following table. Turning on the extend DMX channels will take up more channels, and this setting is off by default.

DMX channel	Function	Parameter	DMX value 16Bit		Actual value 16Bit	
			Starting	Ending	Starting	Ending
7		Mode	0	9	Normal	
			10	19	Highspeed	
			20	29	Low End	
			30	255	Preset	
8	X-Y	Frequency	0	9	1	
			10	19	2	
			20	29	3	
			30	39	4	
			40	49	5	
			50	59	6	
			60	69	7	
			70	79	8	
			80	89	9	
			90	99	10	
			100	109	11	
9		Smoothing	0	9	Default	
			10	19	Smooth	
			20	29	Off	
			30	255	Preset	

Calculation Formula:

Brightness 8Bit

$$\text{DMX value} = \frac{\text{Brightness value}}{0.3922}$$

Brightness value = DMX value × 0.3922

16Bit 16Bit

$$\text{DMX value} = \frac{\text{Brightness value}}{0.001526}$$

Brightness value = DMX value × 0.001526

CCT 8Bit

$$\text{DMX value} = \frac{\text{CCT value} - 1800}{32.1568}$$

CCT value = DMX value × 32.1568 + 1800

16Bit 16Bit

$$\text{DMX value} = \frac{\text{CCT value} - 1800}{0.1251}$$

CCT value = DMX value × 0.1251 + 1800