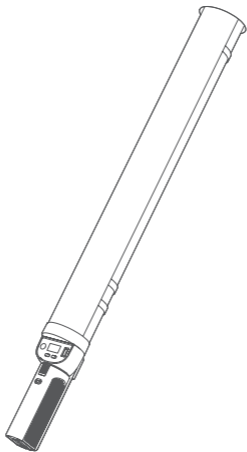


# Godox



## LC500R Air

神牛全彩 LED 充气棒灯

Godox Full-Color LED Inflatable Stick Light

使用手册

Instruction Manual

## 重要安全须知与注意事项

首先作为最基本原则：本产品为专业灯光布景设备，应由专业灯光师使用或在专业人士指导下使用。使用时必须始终遵循基本的安全预防措施，具体安全预防措施如下：

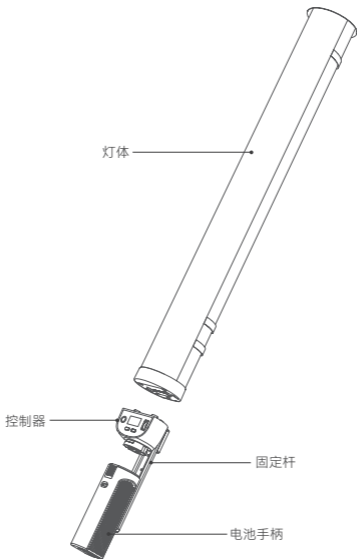
1. 使用前必须阅读并理解产品说明书。
2. 专业灯具，禁止儿童使用。当儿童靠近时，家长或监护人必须密切监督，以免儿童因碰撞灯具或私用灯具造成人身伤害。
3. 本灯具并非普通照明灯具，不可用于普通照明，任何有过眼部损伤或眼部敏感的人群均应避免使用本灯具。
4. 倘若灯珠损坏或因热变形，应停止使用，并及时联系制造商、服务代理商或合格的维修人员更换灯珠，以免发生意外。
5. 请勿使用损坏的设备或设备配件，待专业维修人员检查维修，确认设备正常方可使用。
6. 在使用过程中，如果本产品由于跌落、受到挤压或遭受强烈冲击而造成外壳破裂的，请勿继续使用，以免因接触到内部电子元件而受到电击伤害。
7. 请勿私自拆卸产品，如产品出现故障，须由本公司或授权的维修人员进行检查维修。
8. 请勿将设备放置在酒精、汽油等易燃易挥发的溶剂附近。
9. 本厂不推荐的产品附件，请勿使用，以免导致火灾、触电或人身伤害。
10. 清洁本设备时，请勿用湿布擦拭，请用干布，软布擦拭设备污垢。
11. 安全说明依据本厂严格测试制定，设备设计和规格如有变更，恕不另行通知。客户可以上神牛官网查看最新的电子版说明，了解产品最新资讯。
12. 一经发现，擅自检修设备，将取消一年保修期，维修需要收取相关费用。
13. 本设备没有防水性能，请让设备保持干燥，请勿将本设备浸入水中或其他液体中。设备需安装在干燥且通风处，避免在雨天、潮湿、多尘或过热环境下使用。请勿将任何物体置于灯具上或使液体流入灯具内部，以免发生意外。

## 警告

1. 如果电池更换不当会有爆炸危险,只能用同样类型或等效类型的电池来更换,仅维修人员可更换,非一般人员更换。请勿拆卸产品或拆解电池。
2. 电池不得暴露在诸如日照,火烤或类似过热环境中,产品不得淋雨、进水。
3. 消费者若使用电源适配器充电,则应购买配套使用获得 CCC 认证并满足标准要求的电源适配器。
4. 电池禁止拆解、撞击、挤压或投入火中。若出现严重鼓胀,请勿继续使用。请勿置于高温环境中。浸水后禁止使用。
5. 使用时,应放置在易散热的地方,不要放置在床头、被褥上、包裹里或其他不易散热的环境中使用,避免婴幼儿接触玩耍,儿童请在成人指导下使用。

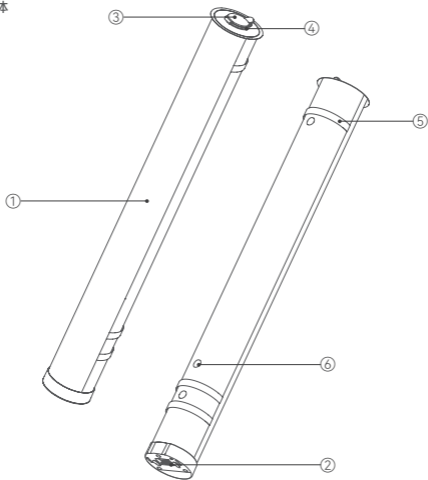
## 请勿直视光源

## 部件名称



## 部件名称

灯体



1. 灯珠面

2. 安装公座 (接控制器)

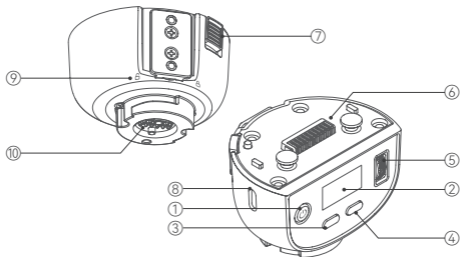
3. 充气口

4. 放气口

5. 固定带

6. 背部磁铁

## 控制器



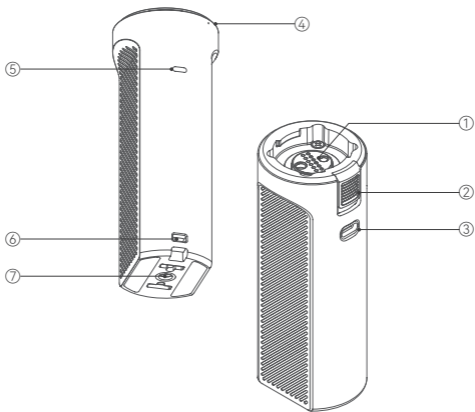
- |                   |                  |
|-------------------|------------------|
| 1. 开关按键           | 6. 安装母座 (接灯体)    |
| 2. 显示屏            | 7. 拆卸推制          |
| 3. MENU 按键        | 8. USB-C 接口      |
| 4. MODE 按键        | 9. 电池手柄对位标识      |
| 5. 调节旋钮 (短按 / 滚动) | 10. 安装公座 (接电池手柄) |

## 固定杆



1. 1/4" 螺丝孔

## 电池手柄



1. 安装母座 (接控制器)
2. 拆卸推制
3. USB-C 接口
4. 电池手柄对位点

5. 充电指示灯
6. 挂绳孔
7. 1/4" 螺丝孔

## 物品清单



灯体 x1



控制器 x1



固定杆 x1



电池手柄 BG-LC5A x1



充电线 x1



硅胶环 x1



气吹 x1



收纳袋 x1



说明书 x1

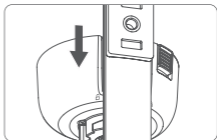
温馨提示：说明书中线图均为示意图，仅供参考。由于产品不断更新与升级，产品实物与线图可能存在差异，请以实物为准。

## 另购物品

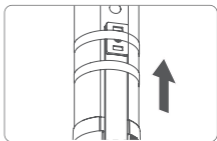
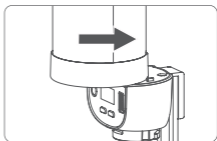
柔光罩 LC5AD、格栅 LC5AG

## 安装说明

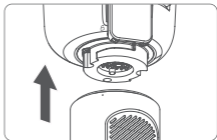
固定杆: 沿着控制器背面的凹槽插入。



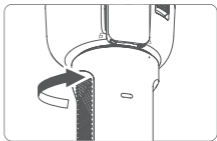
灯体 / 控制器: 安装公座与母座对准后推动控制器, 拆卸推制自动锁紧; 将固定杆向灯体方向上推再穿过固定带, 进行固定。



控制器 / 电池手柄: 将电池手柄上的对位点对准控制器上的开锁符号插入, 接着顺时针旋转, 对位点与闭锁符号对准即安装完成。



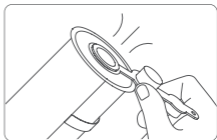
注: 请在灯体未充气状态下完成上述安装。



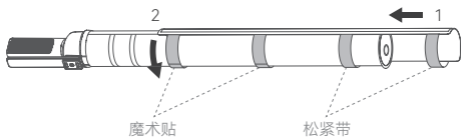
充气：放气口完全盖紧的状态下，打开上面的充气口盖子，使用气吹给灯体充气，完成后将盖子盖好。



放气：打开下面的放气口盖子，将气体放出，完成后将盖子盖好。

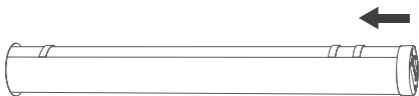


柔光罩（另购）：撕开两个魔术贴后套入灯体，将带柔光布这一面覆盖住发光面即可，再将魔术贴粘好。



## 灯体收纳说明

灯体未充气状态下，从安装座这头开始卷叠灯体，再套入硅胶环即可。



## 供电方式

1. 电池手柄：接入控制器使用，剩余一格电时请及时通过手柄上的 USB-C 接口充电；该 USB-C 接口仅用于为电池手柄充电，无法为灯体供电。
2. 控制器：另购充电器接入控制器上的 USB-C 接口，再接通电源；该 USB-C 接口仅用于为灯体供电，无法为电池手柄充电。

## 开机 / 关机

电源接通后长按开关按钮开机，再次长按关机（显示屏熄灭）；可在菜单中设置防误触，调整开机方式。

## 模式选择

短按 MODE 按钮进入模式选择，滚动调节旋钮可选图中任意一种模式，短按调节旋钮进入该模式的具体设置。通过短按并滚动调节旋钮设置参数值，向上滚动递增参数值，向下滚动递减参数值，设置完毕短按 MODE 按钮返回上一级。



### CCT 模式

短按 MODE 按钮进入模式选择，选中 CCT 后短按调节旋钮进入该模式。

亮度范围: 0% ~ 100%

色温范围: 2800K ~ 10000K

GM 范围: -100% ~ +100%



### HSI 模式

短按 MODE 按钮进入模式选择，选中 HSI 后短按调节旋钮进入该模式。

亮度范围: 0% ~ 100%

色相范围: 0° ~ 360°

饱和度范围: 0% ~ 100%



## FX 模式

短按 MODE 按键进入模式选择, 选中 FX 后短按调节旋钮进入该模式, 通过滚动调节旋钮可选 14 类光效, 短按调节旋钮进入某一类光效的具体设置。



光效	亮度	类型	色温 / 色相	速度	其他
闪光灯	0% - 100%	CCT/HSI	2800K-10000K/ 0-360°	1-100	模式: 闪光灯 / 镁光灯 触发: 自动 / 手动
雷闪电		x	2800K-10000K	x	闪烁次数: 随机 / 1-10 频率: 随机 / 2-20 触发: 自动 / 手动
多云		x	x	随机 / 1-100	亮暗比例: 30%-90%
坏灯泡		CCT/HSI	2800K-10000K/ 0-360°	1-100	x
电视机		CCT/HSI	x	1-100	x
蜡烛		x	x	1-100	x
火		x	x	1-100	x
烟花		x	x	1-100	余烬: 1-100
爆炸		CCT/HSI	2800K-10000K/ 0-360°	1-100	余烬: 1-100 触发: 自动 / 手动
焊接		CCT/HSI	2800K-10000K/ 0-360°	1-100	x
警车		红 + 蓝、红、 蓝、蓝 + 白、 蓝 + 黄、黄、 红 + 蓝 + 白、 红 + 黄 + 蓝	x	x	模式: 1-5

SOS		CCT/HSI	2800K-10000K /0-360°	×	×
彩光循环	×	×	×	1-100	饱和度：0%-100%
派对	×	×	×	1-100	饱和度：0%-100%

注：根据需求滚动调节旋钮设置当前参数值，设置完毕后短按并滚动调节旋钮可跳入下一栏参数进行设置；选中手动时，通过短按一次调节旋钮触发一次该光效；某个光效设置完毕后短按 MODE 按键返回上一级。

## RGBW 模式

短按 MODE 按键进入模式选择，选中 RGBW 后短按调节旋钮进入该模式。

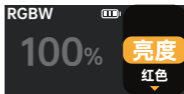
亮度范围：0% ~ 100%

红光范围：0% ~ 100%

绿光范围：0% ~ 100%

蓝光范围：0% ~ 100%

白光范围：0% ~ 100%



## GEL 模式

短按 MODE 按键进入模式选择，选中 GEL 后短按调节旋钮进入该模式。

亮度范围：0% ~ 100%

色温：3200K 或 5600K

色片类型：R-GEL/L-GEL

R-GEL 色片组：COR./CAL./SPC./CINE.

L-GEL 色片组：COR./COLOR./600/

COS./700



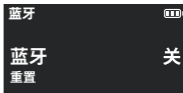
## 菜单设置

短按 MENU 按键进入菜单界面，滚动调节旋钮选择功能，选定后短按进入具体设置，设置完毕短按 MENU 按键返回上一级。



## 蓝牙

短按调节旋钮进入蓝牙，通过短按并滚动调节旋钮设置开启或关闭；如需蓝牙复位，滚动调节旋钮到复位栏，短按调节旋钮选择确定或取消；下方查看蓝牙 MAC 码，方便查找灯具。



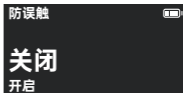
## 防误触

短按调节旋钮进入防误触，通过滚动调节旋钮进行选择，选定后短按调节旋钮完成设置。

关闭：长按开关按键进入主界面。

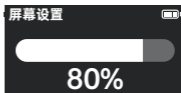
开启：长按开关按键后滚动调节旋钮进入主界面。

通电开机：控制器或电池手柄的 USB-C 接口接通电源（输入电压 $\geq 9V$ ），即进入主界面。



## 屏幕设置

短按调节旋钮进入屏幕设置，向上滚动调节旋钮递增亮度，向下滚动调节旋钮递减亮度，范围：10%-100%。



## 语言

短按调节旋钮进入语言，通过滚动调节旋钮可选简体中文 /English，选定后短按调节旋钮完成设置。




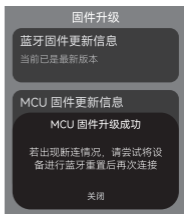
## 版本与升级

短按调节旋钮进入版本与升级，此界面可查看升级提示。



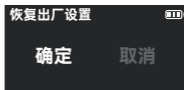
## “Godox Light”app 固件升级

手机中打开 Godox Light，进入其中一个场景，点击 +（添加设备），设备添加完成后，点击 ：延伸出多项设置，再选择固件升级即可。



## 恢复出厂设置

短按调节旋钮进入恢复出厂设置，通过滚动调节旋钮可选确定 / 取消；短按调节旋钮确定恢复出厂，灯具自动重启，界面出现简体中文和 English 选项，设置需要的语言后灯体亮度值自动变为 100%。



## 灯具信息

短按调节旋钮进入灯具信息，此界面可查看当前灯具的基础信息：型号 / 认证信息 / 固件版本。

## 照度数据

色温	测试条件	照度单位	0.5m	1m	2m
2800K	裸灯	lux	2450	783	212
		fc	228	73	20
3200K		lux	2650	849	230
		fc	247	79	21
4300K		lux	2570	830	225
		fc	239	77	21
5600K		lux	2630	854	231
		fc	244	79	21
6500K		lux	2660	864	233
		fc	247	80	22
8500K		lux	2430	788	213
		fc	226	73	20
10000K		lux	2240	725	196
		fc	208	67	18
R (红光)		lux	108	32	9
		fc	10	3	1
G (绿光)		lux	338	104	29
		fc	31	10	3
B (蓝光)	lux	68	22	6	
	fc	6	2	1	

以上数据均为平均值, 非绝对值, 以上测试皆在灯体 100%亮度下进行。

## 规格参数

型号	LC500R Air
电池手柄 (BG-LC5A)	内置锂电池: 7.26V 4750mAh 34.485Wh
	USB-C 接口输入: 5V $\equiv$ 2A, 9V $\equiv$ 2A, 12V $\equiv$ 2A
	充电时长 $\approx$ 2 小时 20 分钟 (12V $\equiv$ 2A)
	使用时长 $\approx$ 1 小时 34 分钟 (100% 亮度)
控制器	USB-C 接口输入: 9V $\equiv$ 2A, 12V $\equiv$ 2A
色温范围	2800K ~ 10000K
GM 范围	-100% ~ 100%
调光范围	0% ~ 100%
FX 光效	14 类
CRI	$\approx$ 96
TLCI	$\approx$ 98
控制方式	蓝牙, 控制器控制
工作环境温度	-20 $^{\circ}$ C ~ 40 $^{\circ}$ C
尺寸 (充气灯体、 控制器、电池手柄)	$\approx$ 77*82*770mm
净重 (灯体、控制 器、电池手柄)	$\approx$ 532g

规格和参数如有变更, 恕不另行通知。

## Important Safety Instructions and Precautions

**First of all, as the most basic principle: This product is a professional lighting set equipment and should be used by professional lighting engineers or under the guidance of professionals. Basic safety attentions must always be followed during use, as follows:**

1. Before use, please read and understand the instruction manual.
2. Professional lighting is prohibited for children. When children are near, parents or accompanying persons must supervise closely to prevent children from personal injury due to collision with lamps or private use of lamps.
3. This lighting product is not ordinary lighting product and cannot be used for general lighting. Anyone who has suffered eye damage or has sensitive eyes should avoid using this product.
4. If the lamp bead is damaged or deformed by heat, stop using this equipment, and contact the manufacturer, service agent or qualified maintenance personnel to replace the lamp bead in time to avoid accidents.
5. Do not use damaged equipment or accessories, and wait for professional maintenance personnel to check and repair to confirm being normal before use.
6. During using, if the casing of this product is broken due to being dropped, squeezed or subjected to strong impact, please do not use it, so as to avoid electric shock injury due to contact with internal electronic components.
7. Do not disassemble the product without permission. If the product fails, it must be checked and repaired by authorized maintenance personnel.
8. Do not place equipment near flammable and volatile solvents such as alcohol and gasoline.
9. Do not use accessories that are not recommended by our factory to avoid fire, electric shock or personal injury.

10. When cleaning the device, please do not use a wet cloth to wipe, please use a dry, soft cloth to wipe the dirt on the device.
11. The safety instructions are formulated according to the strict testing of the factory, and the design and specifications of the equipment are subject to change without prior notice. For latest product information, please check the GODOX website and view latest electronic instruction.
12. If it is found that the equipment is repaired without authorization, the one-year warranty period will be cancelled and relevant fees will be charged for maintenance.
13. This equipment is not waterproof, please keep it dry and do not immerse it in water or other liquids. The equipment should be installed in a dry and ventilated place, and avoid using it in rainy, humid, dusty or overheated environments. Do not place any objects on the lamp or let liquid flow into the lamp to avoid accidents.

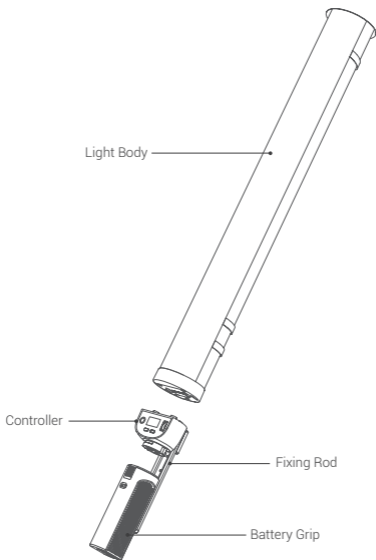
## **Warning**

1. Danger of explosion if the battery are not replaced properly, danger of fire or explosion if replaced with the wrong type of battery pack, replace only with battery of the same type or equivalent. Replace by service personnel only, not general personnel. Do not disassemble the product or disassemble the battery.
2. The battery must not be exposed to conditions such as sunlight, fire, or similar excessive heat. Do not expose to rain or water.
3. The Battery is not allowed to be disassembled, hit, crushed or thrown into fire. Do not continue to use if it is seriously inflated. Do not place in a high temperature environment. Do not use after immersion in water.
4. When using, it should be placed in a place where it is easy to dissipate heat, and should not be placed on the bedside, bedding, in a package or other environments that are not easy to dissipate heat. Keep out of contact with infants and young children, and children should use under adult guidance.

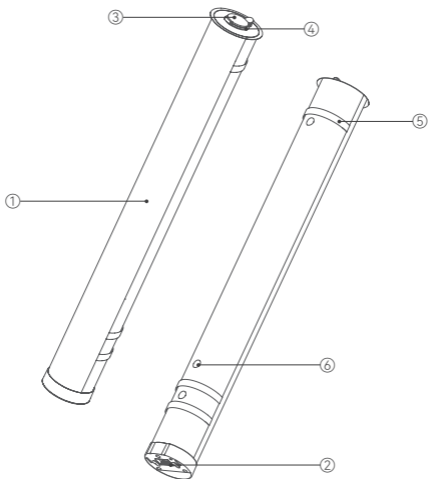


**Do not stare at the operating light source.**

## Names of Parts



## Light Body

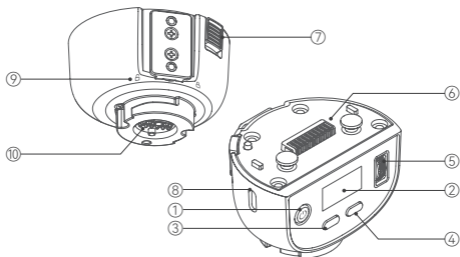


1. Light Beads  
2. Male Socket  
(Connect to controller)

3. Inflation Port  
4. Deflation Port

5. Fixing Band  
6. Magnetic Back

## Controller



1. Power Switch Button

2. Screen

3. MENU Button

4. MODE Button

5. Select Dial (Press/Rotate)

6. Female Socket (Connect to light body)

7. Detaching Pusher

8. USB-C Port

9. Battery Grip Mounting Site

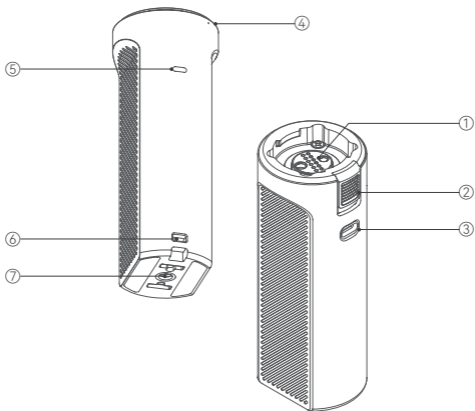
10. Male Socket (Connect to battery grip)

## Fixing Rod



1. 1/4" Screw Hole

## Battery Grip



1. Female Socket  
(Connect to light controller)
2. Detaching Pusher
3. USB-C Port

4. Battery Grip Mounting Spot
5. Charging Indicator
6. Lanyard Hole
7. 1/4" Screw Hole

## What's Inside



Light Body x1



Controller x1



Fixing Rod x1



Battery Grip  
BG-LC5A x1



Charging Cord x1



Silicone Ring x1



Air Pump x1



Storage Bag x1



Instruction Manual x1

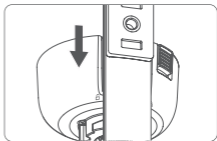
Note: Due to continuous updates and upgrades of the products, there may be differences between the actual products and the pictures. Therefore, the pictures are for reference only, products to prevail in kind.

## Separately Sold Accessories

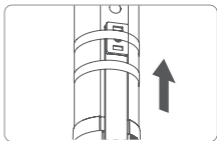
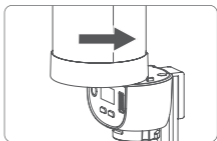
Diffuser LC5AD, Grid LC5AG

## Installation Instructions

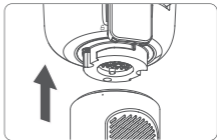
**Fixing Rod:** Insert along the groove on the back of the controller.



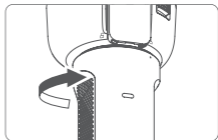
**Light Body/Controller:** Align the male socket with the female socket and push the controller, the detaching pusher will automatically lock up. Secure the fixing rod by pushing it upwards towards the light body and then through the fixing band.



**Controller/Battery Grip:** Align the battery grip mounting spot with the unlocked icon on the controller and insert in, rotate clockwise until the mounting spot is aligned with the locked icon.



Note: Please complete the installation before the light body is inflated.



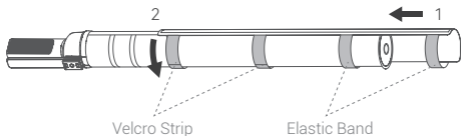
Inflation: Make sure the deflation lid is tightly closed, open the inflation lid and start inflating the light body with the air pump, then close the inflation lid tightly after inflation.



Deflation: Open the deflation lid and let the air out, then close the deflation lid tightly after deflation.



Diffuser (sold separately): Tear off the two Velcro strips and put it on the light body, cover the light-emitting side with the diffuser fabric, then secure the Velcro strips.



## Light Body Storage Instructions

Roll up the light body from the male socket in deflated status, then tie it up with the silicone ring.



## Power Supply

1. Battery grip: Directly connect to the controller. Please charge in time via the USB-C port on the grip in case of one grid battery level. The USB -C port can only charge the battery grip, instead of powering the light body.
2. Controller: Insert a separately purchased power adapter into the USB-C port on the controller, then connect to power source. The USB-C port can only charge the light body, instead of charging the battery grip.

## Power Switch

Connect to the power source, press and hold the power switch button to turn the device on, press and hold again to turn it off (the screen blacks out). The bootup mode is available for adjustment in anti-false touch setting.

## Mode Selection

Press the MODE button to enter selection interface, rotate the select dial to select the desired mode, then press it to enter the corresponding parameter settings. Rotate the select dial upward to increase the parameters, while rotate downward to decrease the parameters. Press the MODE button to return to the previous interface.



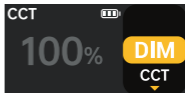
## CCT Mode

Press the MODE button to enter mode selection, rotate and press the select dial to select CCT mode, in which you can adjust the DIM/CCT/GM.

DIM range: 0%-100%

CCT range: 2800K~10000K

GM range: -100%~+100%



## HSI Mode

Press the MODE button to enter mode selection, rotate and press the select dial to select HSI mode, in which you can adjust the DIM/HUE/SAT.

DIM range: 0%~100%

HUE range: 0°~360°

SAT range: 0%~100%



## FX Mode

Press the MODE button to enter mode selection, rotate and press the select dial to select FX mode, in which you can choose among the following 14 effects and adjust their respective parameters.



<b>Effect</b>	<b>DIM</b>	<b>Color</b>	<b>CCT/HUE</b>	<b>Speed</b>	<b>Others</b>
Flash	0% - 100%	CCT/HSI	2800K-10000K/ 0-360°	1-100	Mode: Camera Flash/ Flash Bulb Trigger: Auto/Manual
Lightning		×	2800K-10000K	×	Times: Random/1-10 Frequency: Random / 2-20 Trigger: Auto/Manual
Cloudy		×	×	Random/ 1-100	Ratio: 30% -90%
Broken Bulb		CCT/HSI	2800K-10000K/ 0-360°	1-100	×
TV		CCT/HSI	×	1-100	×
Candle		×	×	1-100	×
Fire		×	×	1-100	×
Firework		×	×	1-100	Ember: 1-100
Explosion		CCT/HSI	2800K-10000K/ 0-360°	1-100	Ember: 1-100 Trigger: Auto/Manual
Welding		CCT/HSI	2800K-10000K/ 0-360°	1-100	×

Cop Car		Red+Blue, Red, Blue, Blue+White, Blue+Yellow, Yellow, Red+Blue+ White, Red+Yellow +Blue	x	x	Mode: 1-5
SOS		CCT/HSI	2800K-10000K/ 0-360	x	x
RGB Cycle	x	x	x	1-100	SAT: 0%-100%
Party	x	x	x	1-100	SAT: 0%-100%

Note: Please rotate the select dial to adjust the parameters, then press the and rotate the select dial to the next parameter. Select manual, the effect can be triggered once by pressing the select dial once. After a certain effect is set, press MODE button can return to the 14 effects interface.

## RGBW Mode

Press the MODE button to enter mode selection, rotate and press the select dial to select RGBW mode, in which you can adjust the DIM/Red/Green/Blue/White.

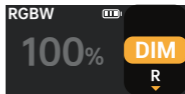
DIM range: 0%~100%

Red range: 0%~100%

Green range: 0%~100%

Blue range: 0%~100%

White range: 0%~100%



## GEL Mode

Press the MODE button to enter mode selection, rotate and press the select dial to select GEL mode, in which you can adjust the DIM/CCT/gel type/gel group.

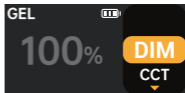
DIM range: 0%~100%

CCT: 3200K or 5600K

Gel Type: R-GEL/L-GEL

R-GEL: COR./CAL./SPC./CINE.

L-GEL: COR./COLOR./600/COS./700



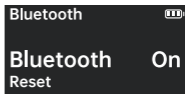
## MENU Settings

Press the MENU button to enter menu interface, rotate and press the select dial to enter the following setting options, press the MENU button can return to the previous interface.



## Bluetooth

Press the select dial to enter Bluetooth interface, press and rotate the select dial to Bluetooth to turn it on or off. If you need to reset the Bluetooth, rotate the select dial to reset and press it. The MAC code is on the corner for quick check.



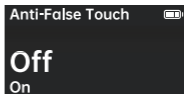
## Anti-False Touch

Press the select dial to enter anti-false touch interface, press and rotate the select dial to select among off, on and bootup on plugging.

Off: Press and hold the power switch button to enter the main interface.

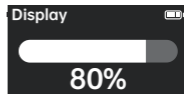
On: Press and hold the power switch button then rotate the select dial to enter the main interface.

Bootup on plugging: Connect to power source (input voltage  $\geq 9V$ ) via the USB-C port on the controller or battery grip to enter the main interface.



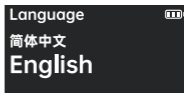
## Display

Press the select dial to enter display interface, rotate the select dial upward to increase the brightness, while rotate downward to decrease the brightness, with a range of 10%-100%.



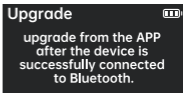
## Language

Press the select dial to enter language interface, press and rotate the select dial to choose between simplified Chinese and English.



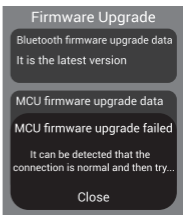
## Upgrade

Press the select dial to enter upgrade interface, in which you can check the upgrade instructions.



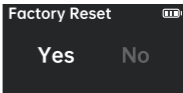
## "GODOX Light" app Firmware Upgrade

Open Godox Light, enter a certain scene and click "+" to add a fixture, then click "⋮" to display more settings, choose firmware upgrade.



## Factory Reset

Press the select dial to enter factory reset interface, press and rotate the select dial to choose yes or no. If you choose yes, the device will automatically reset and reboot, then simplified Chinese and English options show on the display for your choice, after which the brightness will turn to 100% automatically.



## Fixture Info

Press the select dial to enter fixture info interface, in which you can check the basic information of the fixture.

## Illuminance Data

CCT	Testing Condition	Unit	0.5m	1m	2m
2800K	Bare Light	lux	2450	783	212
		fc	228	73	20
3200K		lux	2650	849	230
		fc	247	79	21
4300K		lux	2570	830	225
		fc	239	77	21
5600K		lux	2630	854	231
		fc	244	79	21
6500K		lux	2660	864	233
		fc	247	80	22
8500K		lux	2430	788	213
		fc	226	73	20
10000K		lux	2240	725	196
		fc	208	67	18
R (Red)		lux	108	32	9
		fc	10	3	1
G (Green)	lux	338	104	29	
	fc	31	10	3	
B (Blue)	lux	68	22	6	
	fc	6	2	1	

Note: All the data are average values instead of absolute values. All the above tests are based on the condition of 100% brightness.

## Technical Data

Model	LC500R Air
Battery Grip (BG-LC5A)	Built-in Lithium Battery: 7.26V 4750mAh 34.485Wh
	USB-C Port Input: 5V=2A, 9V=2A, 12V=2A
	Charging Time ≈2h20min (12V=2A)
	Battery Life ≈1h34min (100% brightness)
Controller	USB-C Port Input: 9V=2A, 12V=2A
CCT Range	2800K ~ 10000K
GM Range	-100% ~ 100%
Brightness Range	0% ~ 100%
FX Modes	14
CRI	≈96
TLCI	≈98
Controlling Methods	Bluetooth, controller control
Working Environment Temperature	-20°C ~ 40°C
Dimension (inflated light body, controller, battery grip)	≈3.03"*3.23"*30.31"
Net Weight (light body, controller, battery grip)	≈532g

Specifications and data may subject to changes without notice.

## FCC Caution

This device complies with part 15 of the FCC Rules. Operation is subject to the following two conditions:

- (1) This device may not cause harmful interference, and
- (2) this device must accept any interference received, including interference that may cause undesired operation.

Any Changes or modifications not expressly approved by the party responsible for compliance could void the user's authority to operate the equipment.

Note: This equipment has been tested and found to comply with the limits for a Class B digital device, pursuant to part 15 of the FCC Rules. These limits are designed to provide reasonable protection against harmful interference in a residential installation. This equipment generates uses and can radiate radio frequency energy and, if not installed and used in accordance with the instructions, may cause harmful interference to radio communications. However, there is no guarantee that interference will not occur in a particular installation. If this equipment does cause harmful interference to radio or television reception, which can be determined by turning the equipment off and on, the user is encouraged to try to correct the interference by one or more of the following measures:

- Reorient or relocate the receiving antenna.
- Increase the separation between the equipment and receiver.
- Connect the equipment into an outlet on a circuit different from that to which the receiver is connected.
- Consult the dealer or an experienced radio/TV technician for help.

The device has been evaluated to meet general RF exposure requirement.  
The device can be used in portable exposure condition without restriction.

## IC Warning

Le présent appareil est conforme aux CNR d'Industrie Canada applicables aux appareils radio exempts de licence. L'exploitation est autorisée aux deux conditions suivantes:

- (1) l'appareil ne doit pas produire de brouillage, et
- (2) l'utilisateur de l'appareil doit accepter tout brouillage radioélectrique subi, même si le brouillage est susceptible d'en compromettre le fonctionnement

Tout changement ou modification non expressément approuvé par la partie responsable de la réglementation de l'OCDE peut faire perdre à l'utilisateur le droit d'utiliser l'appareil.

Remarque: cet appareil a été testé pour répondre aux limites des appareils numériques de classe B conformément à la partie 15 des règles de la Federal Communications Commission des États - Unis. Ces limites sont conçues pour fournir une protection raisonnable contre les interférences nuisibles dans les installations résidentielles. L'appareil génère de l'énergie RF utilisée et rayonne, ce qui peut causer des interférences nocives pour les communications radio s'il n'est pas installé et utilisé conformément aux instructions. Cependant, aucune Garantie contre les interférences dans une installation spécifique. Si l'appareil cause des interférences nuisibles à la réception de la radio ou de la télévision, qui peuvent être déterminées en éteignant et en allumant l'appareil, l'utilisateur est encouragé à tenter de corriger les interférences par une ou plusieurs des mesures suivantes:

- redirection ou repositionnement de l'antenne de réception.
- augmenter l'espacement entre l'appareil et le récepteur.
- Connecter l'appareil à une prise sur un circuit différent de celui auquel le récepteur est connecté.
- consultez votre revendeur ou un technicien radio / tv expérimenté pour obtenir de l'aide.

Avertissement RF pour les appareils portables:

L'appareil a été évalué pour répondre aux exigences générales d'exposition aux radiofréquences. Équipement Peut être utilisé sans restriction dans des conditions d'exposition portables.

## **Declaration of Conformity**

GODOX Photo Equipment Co.,Ltd. hereby declares that this equipment are in compliance with the essential requirements and other relevant provisions of Directive 2014/53/EU. In accordance with Article 10(2) and Article 10(10), this product is allowed to be used in all EU member states. For more information of DoC, Please click this web link:

<https://www.godox.com/eu-declaration-of-conformity/>

The device complies with RF specifications when the device used at 0mm from your body.

### **Warning**

Operating frequency: 2402MHz – 2480MHz (BT)

Maximum EIRP Power: 5dBm

## 产品保修

尊敬的用户，本保修卡是申请保修服务的重要凭证，请您配合销售商填写并妥善保管，谢谢！

产品信息	型号	产品条码
用户信息	姓名	联系电话
	通信地址	
销售商信息	名称	
	联系电话	
	通信地址	
	销售日期	
备注		

注：此表应由销售商盖章确认。

### 适用产品

本文件适用于相关《产品保修资讯》（见后面说明）所列产品，其他非属此范围的产品或部件（如促销品、赠品及其他出厂后附加的部件等）不在此保修承诺内。

### 保修期

产品及部件的相应保修期按相关的产品保修信息执行。保修期自产品首次购买日起算，购买日以购买产品时保修卡登记日期为准。

### 如何获得保修服务

您可直接与产品销售商或授权服务机构联系，也可拨打神牛产品售后服务电话，

与我们联系，由我们的服务人员为您安排服务。申请保修时，您应提供有效的保修卡作为保修凭证，方可获得保修。如您不能提供有效的保修卡，则在我们确认产品或部件属于保修范围的情况下，也可以为您提供保修，但这不作为我们的义务。

### 不适用保修情况

如产品存在下列情况，本文件项下的保证和服务将不适用：①产品或部件超过相应保修期；②错误或不当使用、维护或保管导致的故障或损坏，如：不当搬运；非按产品合理预期用途使用；不当插拔外接设备；跌落或外力挤压；接触或暴露于不适当温度、溶剂、酸碱、水浸或潮湿环境；③由非神牛授权机构或人员安装、修理、更改、添加或拆卸造成的故障或损坏；④产品或部件原有识别信息被修改变更或删除；⑤无有效保修卡；⑥使用非合法授权、非标准或非公开发行的软件造成的故障或损坏；⑦因不可抗力或意外事件造成的故障或损坏；⑧其他非因产品本身质量问题导致的故障或损坏。遇上述情况，您应向相关责任方寻求解决，神牛对此不承担任何责任。因非在保修期或保修范围内的部件、附件或软件导致产品不能正常使用的，不是保修范围内的故障。产品使用过程中正常的脱色，磨损和消耗，不是保修范围内的故障。

## 产品保修和服务支持信息

产品的保修期和服务类型按以下《产品保修信息》执行：

类别	名称	保修期(月)	保修服务类型
带电性能的 部件	电路板	12	客户送修
其他	例如光效附件、各类线材、航空箱或其他包装	无	无保修

神牛产品售后服务电话：0755-29609320-8062

## Warranty

Dear customers, as this warranty card is an important certificate to apply for our maintenance service, please fill in the following form in coordination with the seller and safe-keep it. Thank you!

Product	Model	Product Code Number
Information	Name	Contact Number
Customer	Address	
Information	Name	
	Contact Number	
Seller	Address	
Information	Date of Sale	
Note:		

Note: This form shall be sealed by the seller.

### Applicable Products

The document applies to the products listed on the Product Maintenance Information (see below for further information). Other products or accessories (e.g. promotional items, giveaways and additional accessories attached, etc.) are not included in this warranty scope.

the purchase date is considered as the date registered on the warranty card when buying the product.

### How to Get the Maintenance Service

If maintenance service is needed, you can directly contact the product distributor or authorized service institutions. You can also contact the Godox after-sale service call and we will offer you service. When applying for maintenance service, you should provide valid warranty card. If you cannot provide valid warranty card, we may offer you maintenance service once confirmed that the product or accessory is involved in the maintenance scope, but that shall not be considered as our obligation.

### Inapplicable Cases

The guarantee and service offered by this document are not applicable in the following cases: ① . **The product or accessory has expired its warranty period;** ② . **Breakage or damage caused by inappropriate usage, maintenance or preservation, such as improper packing, improper usage, improper plugging in/out external equipment, falling off or squeezing by external force, contacting or exposing to the improper temperature, solvent, acid, base, flooding and damp environments, etc;** ③ . **Breakage or damage caused by non-authorized institution or staff in the process of installation, maintenance, alternation, addition and detachment;** ④ . **The original identifying information of product or accessory is modified, alternated, or removed;** ⑤ . **No valid warranty card;** ⑥ . **Breakage or damage caused by using illegally authorized, nonstandard or non-public released software;** ⑦ . **Breakage or damage caused by force majeure or accident;** ⑧ . **Breakage or damage that could not be attributed to the product itself.** Once met these situations above, you should seek solutions from the related responsible parties and Godox assumes no responsibility. The damage

caused by parts, accessories and software that beyond the warranty period or scope is not included in our maintenance scope. The normal discoloration, abrasion and consumption are not the breakage within the maintenance scope.

## Maintenance and Service Support Information

The warranty period and service types of products are implemented according to the following Product Maintenance Information:

Product Type	Name	Maintenance Period(month)	Warranty Service Type
Parts with electrical properties	Circuit board	12	Customer sends the product to designated site
Other Items	Optical accessories, cables, flight case or other packages, etc.	NO	Without warranty

Godox After-sale Service Call 0755-29609320-8062

V1.1 说明书 / Instruction Manual

V1.00 固件 / Firmware



Wechat  
Official Account  
神牛微信公众号

## 深圳市神牛摄影器材有限公司

地址：深圳市宝安区福海街道塘尾社区耀川工业区厂房2栋

电话：0755-29609320(8062) 传真：0755-25723423 邮箱：godox@godox.com

## GODOX Photo Equipment Co., Ltd.

Add.: Building 2, Yaochuan Industrial Zone, Tangwei Community, Fuhai Street,  
Bao'an District, Shenzhen 518103, China

Tel: +86-755-29609320(8062) Fax: +86-755-25723423

E-mail: godox@godox.com

[www.godox.com](http://www.godox.com)

Made in China | 705-LC50RA-01

