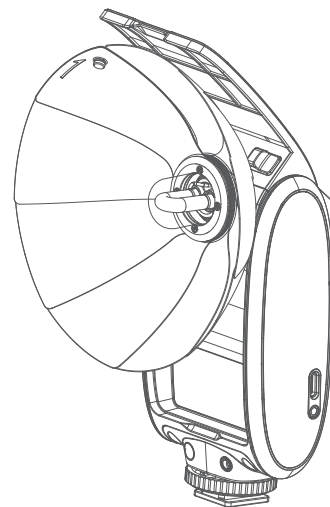


合格证  
QC PASS

Godox



Wechat  
Official Account  
神牛微信公众号

深圳市神牛摄影器材有限公司

地址: 深圳市宝安区福海街道塘尾社区耀川工业区厂房2栋 电话: 0755-29609320(8062)  
传真: 0755-25723423 邮箱: godox@godox.com

**GODOX Photo Equipment Co., Ltd.**

Add.: Building 2, Yaochuan Industrial Zone, Tangwei Community, Fuhai Street, Bao'an District, Shenzhen 518103, China Tel: +86-755-29609320(8062) Fax: +86-755-25723423  
E-mail: godox@godox.com

[www.godox.com](http://www.godox.com)

Made in China | 705-LUXSE0-00



# Lux Senior

复古闪光灯

Retro Camera Flash

使用手册  
Instruction Manual

## 前言

感谢您购买神牛闪光灯 Lux Senior。

Lux Senior, 一款复古精巧闪光灯, 拥有复古造型的同时, 又能辅助拍摄补光, 极大提升拍摄效果; 能够在 ISO100 时提供 GN14 闪光指数 拥有 AUTO 自动闪光与 MANUAL 手动闪光模式; 支持大容量锂电池供电, 兼容各类相机。

使用本产品之前, 请仔细阅读说明书, 以便正确操作及使用。

## 警告

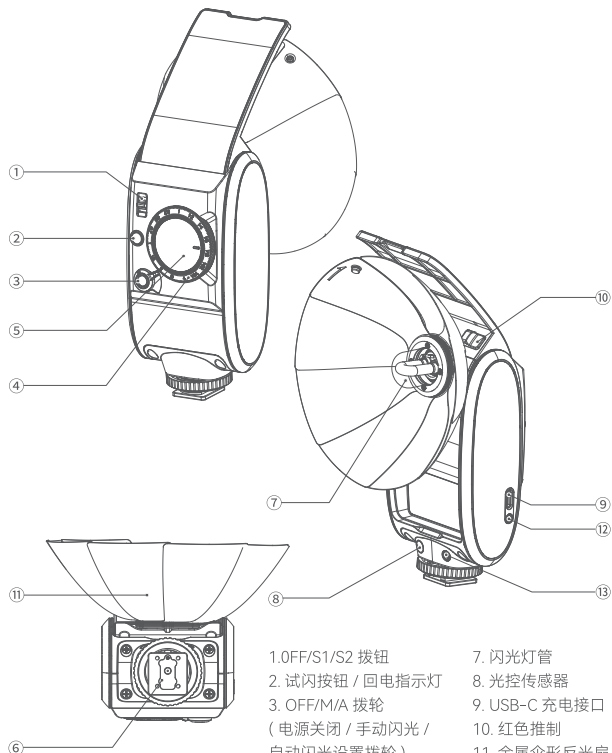
- △ 请保持干燥。
- △ 请勿私自拆卸产品, 如产品出现故障须由本公司或授权的维修人员进行检查维修。
- △ 请勿让儿童接触本产品。
- △ 禁止拆卸、撞击、挤压或投入火中, 若出现严重鼓胀, 请勿继续使用。请勿放置在超过 50 度的高温环境中。
- △ 请勿将闪光灯头正对人眼闪光 (特别是婴儿的眼睛), 否则可能会在短时间内造成视力障碍。
- △ 请勿在化学品、可燃性气体或其他特殊物质附近使用闪光灯, 这些物质在特殊情况下可能对闪光灯发出的瞬间强光敏感, 有可能导致火灾或电磁干扰。在这些场合下, 请注意相关警告标识。
- △ 本产品不能防水, 在雨天及潮湿环境下请注意防水。
- △ 若发生任何故障, 请立即关闭闪光灯电源。
- △ 内置锂电池。此类产品请使用专用的充电器进行充电, 并且按正确的操作说明, 在规定的电压、温度范围内使用。
- △ 请勿拆卸或改造本产品。
- △ 请务必按照箭头方向展开金属反光罩。
- △ 使用中, 反光罩如被刮花属于正常现象, 不影响后续使用。
- △ 灯管属于易碎物品, 不使用时或合拢后盖前, 请将灯管按压至安全位置。

## 重要提示

在冷靴相机上使用时, 需对本闪光灯的热靴触点与相机冷靴进行绝缘隔离处理, 例如使用纸片、胶片等; 使用 PC 线连接相机与闪光灯进行触发闪光。



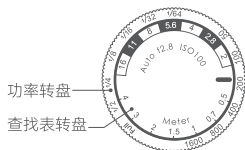
## 结构



1. OFF/S1/S2 按钮
2. 试闪按钮 / 回电指示灯
3. OFF/M/A 拨轮 (电源关闭 / 手动闪光 / 自动闪光设置拨轮)
4. 功率转盘
5. 查找表转盘
6. 热靴
7. 闪光灯管
8. 光控传感器
9. USB-C 充电接口
10. 红色推制
11. 金属伞形反光扇
12. SYNC 同步孔
13. 自动测光器

## 转盘说明

功率转盘可转动,转动档位为7档,查找表转盘,主要为了查看数据,便于设置功率。



## 回电指示灯说明

将 OFF/M/A 拨轮拨至 M 手动闪光模式或 A 自动闪光模式。

1. 当回电指示灯呈现常亮红色状态,表示正在回电。
2. 当回电指示灯呈现常亮绿色状态,表示回电结束。
3. 当回电指示灯呈现均匀闪烁红色状态,表示电池处于低电量,这种情况下,请及时充电。
4. 当回电指示灯呈现急促闪烁状态,表示该灯处于高温报警状态。
5. 当回电指示灯呈现不亮状态,表示电池没电。

将 OFF/M/A 拨轮拨至 OFF。

1. 回电指示灯呈现常亮红色状态,表示正在充电。
2. 回电指示灯呈现常亮绿色状态,表示充电完成。
3. 回电指示灯呈现急促红色状态,表示当前充电温度过高,电池停止充电(电池充电温度范围为 0°C-60°C)。

将 OFF/M/A 拨轮拨至 OFF,短按一次回电指示灯。

1. 回电指示灯变为绿灯且闪烁 4 次,表示当前电量为 75%-100%。
2. 回电指示灯变为绿灯且闪烁 3 次,表示当前电量为电量 50%-75%。
3. 回电指示灯变为绿灯且闪烁 2 次,表示当前电量为电量 25%-50%。
4. 回电指示灯变为红灯且闪烁 1 次,表示当前电量为电量 0%-25%,请及时充电。

注:灯管收缩时,将 OFF/M/A 拨轮拨至 M 或 A 时,回电指示灯呈现常亮红色状态,灯管打开时,将 OFF/M/A 拨轮拨至 M 或 A 时,回电指示灯呈现常亮绿色状态。

## 标配物品



复古闪光灯 \*1



引闪线 \*1



充电线 \*1



收纳包 \*1



说明书 \*1

## 功率转盘 / 查找表转盘数字含义

感光度值	50	100	200	400	800	1600	
闪光功率档位	Full	1/2	1/4	1/8	1/16	1/32	1/64
光圈 F 值	2	2.8	4	5.6	8	11	16
最佳拍摄距离	0.5	0.7	1	1.5	2	3	4

## 操作说明

### 开机

打开机身后背,推动红色推制,闪光灯管伸出,接着展开金属伞形反光扇,将 OFF/M/A 拨轮拨至 M 手动闪光模式或 A 自动闪光模式,即可开机。收起金属反光扇,用带手套的手按压灯管至安全位置,盖上后盖,将 OFF/M/A 拨轮拨至 OFF,即可关机。

注:需先将闪光灯装上照相机,然后再开启照相机和闪光灯。

#### 警告:

合拔前必须按压灯管至安全位置。

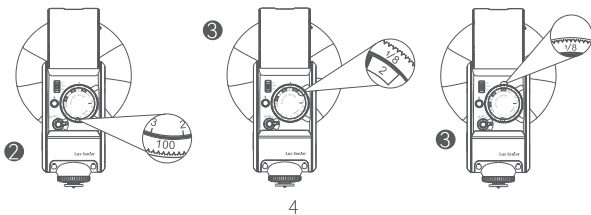
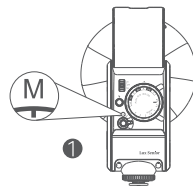


## 使用 M 手动闪光模式

1. 先将 OFF/M/A 拨轮拨至 M 手动闪光模式。

2. 根据相机已设置的感光度(假设 ISO 感光度为 100),找到闪光灯转盘对应的 ISO 感光度值,再根据当前拍摄距离(假设当前距离为 2.5m),转动查找表转盘,让拍摄距离值对准 ISO 感光度值。

3. 最后看光圈对准的功率值(假设光圈为 f2),获取到闪光灯所需功率数据,根据上述假设,图中可知此时闪光灯所需功率为全功率 1/8,转动功率转盘,使箭头对准所需功率,即可调好闪光灯所需功率。



## 实用表

光圈 GN值 \ 距离	2	2.8	4	5.6	8	11	16
56	28	19.8	14	9.9	7	4.9	3.5
39.6	19.8	14	9.9	7	4.9	3.5	2.5
28	14	9.9	7	4.9	3.5	2.5	1.8
19.8	9.9	7	4.9	3.5	2.5	1.8	1.3
14	7	4.9	3.5	2.5	1.8	1.3	0.9
9.9	4.9	3.5	2.5	1.8	1.3	0.9	0.7
7	3.5	2.5	1.8	1.3	0.9	0.7	0.5
4.9	2.5	1.8	1.3	0.9	0.7	0.5	0.4
3.5	1.8	1.3	0.9	0.7	0.5	0.4	0.3
2.5	1.3	0.9	0.7	0.5	0.4	0.3	0.2
1.8	0.9	0.7	0.5	0.4	0.3	0.2	
1.3	0.7	0.5	0.4	0.3	0.2		
0.9	0.5	0.4	0.3	0.2			

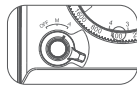
感光度 GN值 \ 闪光功率	50	100	200	400	800	1600
1	9.9	14	19.8	28	39.6	56
1/2	7	9.9	14	19.8	28	39.6
1/4	4.9	7	9.9	14	19.8	28
1/8	3.5	4.9	7	9.9	14	19.8
1/16	2.5	3.5	4.9	7	9.9	14
1/32	1.8	2.5	3.5	4.9	7	9.9
1/64	1.3	1.8	2.5	3.5	4.9	7

## 使用 A 自动闪光模式

将 OFF/M/A 拨轮拨至 A 自动闪光模式。

在 A 自动闪光模式下，默认感光度 ISO 100 和光圈 f2.8。

在 A 自动闪光模式下，闪光灯实用表



感光度	50	100	200	400	800	1600
光圈	2	2.8	4	5.6	8	11
使用范围	最远 4 米					

注：使用过长镜头可能会影响 A 模式光输出。

## 光控模式

### S1 光控单位设置

在 M 手动闪光模式下，可以使用 S1 功能。将 OFF/S1/S2 拨钮推至 S1，闪光灯可作为副灯使用，创造多种照明效果，适用于手动闪光环境。它会与主闪光灯的第一次闪光同步触发闪光，效果与使用无线引闪器一致。

### S2 光控单位设置

在 M 手动闪光模式下，可以使用 S2 功能。将 OFF/S1/S2 拨钮推至 S2，闪光灯可作为副灯使用，适用于 TTL 闪光环境。具有防预闪功能，使用带一次预闪功能的相机能用光控实现同步拍摄。它会与主闪光灯的第二次闪光同步触发闪光，即 2 次光控引闪。

注：只有在 M 手动闪光模式下，才支持 S1/S2 光控引闪模式。

## 规格参数

型号	Lux Senior
闪光指数 (1/1 档位)	GN14 (ISO100, 以米为单位)
锂电池	3.7V 1700mAh
输入参数	5V $\equiv$ 2A
闪光功率档位	7 档: 1/1-1/64
色温	6000K $\pm$ 200K
焦距	28mm (固定值)
转盘显示	功率: Full、1/2、1/4、1/8、1/16、1/32、1/64 光圈: F2-16 距离: 0.5m、0.7m、1m、1.5m、2m、3m、4m Auto f2.8 ISO100 (自动闪光模式下默认参数)
光控引闪	S1 光控同步引闪 / S2 光控防预闪引闪
工作环境温度	-10°C~50°C
回电时间 (最大档位)	< 3S
全功率闪光次数 (1/1 档位)	550次
电池充电温度范围	0°C-60°C
同步触发	热靴、同步线
尺寸	84mm*114mm*176mm
净重	227g

规格和参数如有变更，恕不另行通知。

## Foreword

Thank you for purchasing!

The Lux Senior is designed with an exquisite structure, retro appearance, and practical functions. It can provide a guide number of GN14 at ISO100, auto flash and manual flash mode, support lithium batteries power supply.

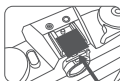
Read this manual carefully before using to make sure the correct operation and exert the optimum function.

## ⚠ Warning

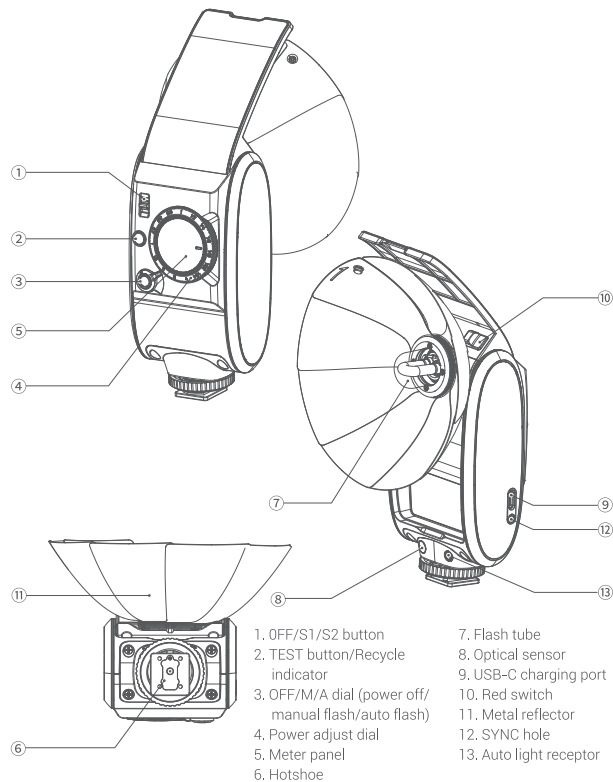
- ⚠ Always keep this product dry. Do not use in rain or in damp conditions.
- ⚠ Do not disassemble. Should repairs become necessary, this product must be sent to an authorized maintenance center.
- ⚠ Keep out of reach of children.
- ⚠ Stop using this product if it breaks open due to extrusion, falling or strong hit. Otherwise, electric shock may occur if you touch the electronic parts inside it.
- ⚠ Do not leave or store the flash unit if the ambient temperature reads over 50 C.
- ⚠ Do not fire the flash directly into the eyes (especially those of babies) within short distances. Otherwise, visual impairment may occur.
- ⚠ Do not use the flash unit in the presence of flammable gases, chemicals and other similar materials. In certain circumstance, these materials may be sensitive to the strong light emitting from this flash unit and fire or electromagnetic interference may result.
- ⚠ Turn off the devices immediately in the event of malfunction.
- ⚠ Built-in lithium battery needs a standard charger, and use within the specified voltage and temperature range according to the instruction manual.
- ⚠ Do not disassemble or modify this product.
- ⚠ Please unfold the reflector in the direction of the arrow.
- ⚠ Scratches on the reflector caused during using will not affect the normal use.
- ⚠ The flash tube is fragile, please press it in when not in use or before closing the back cover.

## Important Instruction

When using on a cold shoe camera, the hot shoe contacts of the flash should be insulated from the camera cold shoe (such as using paper or film), then use a Prontor-Compur cable to connect the camera and the flash for triggering.

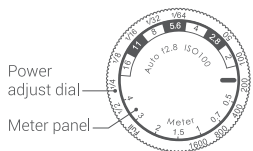


## Product Structure



## Power Adjusting Instruction

Power adjust dial is rotatable in 7 levels, while meter panel is steplessly rotatable with data on it, together precisely setting and adjusting power.



## Recycle Indicator Instruction

Switch the OFF/M/A dial to M manual flash mode or A auto flash mode.

1. When the recycle indicator is constant on red, it means recycling.
2. When the recycle indicator is constant on green, it means recycle complete.
3. When the recycle indicator flashes red stably, it means low battery state, please charge the battery in time.
4. When the recycle indicator flashes rapidly, it means high temperature state.
5. When the recycle indicator is off, it means battery is dead.

Switch the OFF/M/A dial to OFF mode.

1. When the recycle indicator is constant on red, it means charging.
2. When the recycle indicator is constant on green, it means charging complete.
3. When the recycle indicator flashes red rapidly, it means battery over-temperature and stops charging. (battery charging temperature range: 0 C ~60 C)

Switch the OFF/M/A dial to OFF mode then short press the recycle indicator once.

1. The recycle indicator turns to green and blinks four times, it means 75%-100% battery level.
2. The recycle indicator turns to green and blinks three times, it means 50%-75% battery level.
3. The recycle indicator turns to green and blinks twice, it means 25%-50% battery level.
4. The recycle indicator turns to green and blinks once, it means 0% ~25% battery level, please charge the battery in time.

Note: When the flash tube is pressed down, switch the OFF/M/A to M or A mode, the recycle indicator is constant on red. When the flash tube pops up, switch the OFF/M/A to M or A mode, the recycle indicator is constant on green.

## What's In Side



Retro Camera  
Flash \*1



Triggering  
Cable\*1



Charging  
Cable\*1



Storage  
Bag\*1



Instruction  
Manual\*1

## Power/ ISO/ Aperture Settings Instruction

ISO values	50	100	200	400	800	1600	
Flash power level	Full	1/2	1/4	1/8	1/16	1/32	1/64
Aperture values	2	2.8	4	5.6	8	11	16
Best shooting distance	0,5	0,7	1	1,5	2	3	4

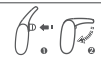
## Operation Instruction

### Power On

Open the back cover, push the red switch to pop up the flash tube, then unfold the metal reflector. Turn the OFF/M/A dial to M manual flash mode or A auto flash mode, the device can be powered on. Fold the metal reflector, press the flash tube down with gloves on and close the back cover. Turn the OFF/M/A dial to OFF mode, the device is powered off.

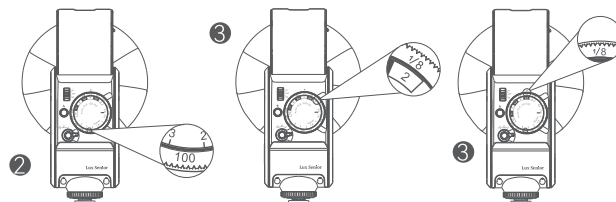
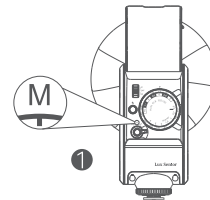
Note: Install the flash to the camera then turn on the camera and flash.

Note: Please press down the flash tube before folding.



## M Manual Flash Mode

1. Turn the OFF/M/A dial to M manual flash mode.
2. According to the ISO value (assuming the ISO value is 100) of the camera, find the ISO value on the power adjust dial. Then turn the meter panel to make the distance value aimed at the ISO value according to the current shooting distance (assuming the distance is 2.5m).
3. The flash power is the value on the dial aimed at the aperture value (assuming it is f2). In the above assumptive situation, the flash power should be 1/8. Turn the power adjust dial to make the power value aimed at the OUTPUT arrow, then the flash is ready for use.



## Practical Form of M Manual Flash Mode

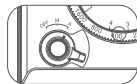
Aperture GN \ Distance	2	2.8	4	5.6	8	11	16
	56	28	19.8	14	9.9	7	4.9
39.6	19.8	14	9.9	7	4.9	3.5	2.5
28	14	9.9	7	4.9	3.5	2.5	1.8
19.8	9.9	7	4.9	3.5	2.5	1.8	1.3
14	7	4.9	3.5	2.5	1.8	1.3	0.9
9.9	4.9	3.5	2.5	1.8	1.3	0.9	0.7
7	3.5	2.5	1.8	1.3	0.9	0.7	0.5
4.9	2.5	1.8	1.3	0.9	0.7	0.5	0.4
3.5	1.8	1.3	0.9	0.7	0.5	0.4	0.3
2.5	1.3	0.9	0.7	0.5	0.4	0.3	0.2
1.8	0.9	0.7	0.5	0.4	0.3	0.2	
1.3	0.7	0.5	0.4	0.3	0.2		
0.9	0.5	0.4	0.3	0.2			

Flash power	ISO GN	50	100	200	400	800	1600
	1		9.9	14	19.8	28	39.6
1/2		7	9.9	14	19.8	28	39.6
1/4		4.9	7	9.9	14	19.8	28
1/8		3.5	4.9	7	9.9	14	19.8
1/16		2.5	3.5	4.9	7	9.9	14
1/32		1.8	2.5	3.5	4.9	7	9.9
1/64		1.3	1.8	2.5	3.5	4.9	7

## A Auto Flash Mode

Turn the OFF/M/A dial to A auto flash mode.

The default ISO and aperture are 100 and f2.8 respectively in A auto flash mode.



## Practical Form of A Auto Flash Mode

ISO	50	100	200	400	800	1600
Aperture	2	2.8	4	5.6	8	11
Distance	Max. 4 meters					

Note: Using improper extra long lens may affect the output in A auto flash mode.

## Optical Control Mode

### S1 optical control

The S1 optical control function is available in M manual flash mode. Push the OFF/S1/S2 button to S1, the flash can function as an optical S1 secondary flash. With this function, the flash will fire synchronously when the main flash fires, the same effect as that by using of radio triggers. This helps create multiple lighting effects.

### S2 optical control

The S2 optical control function is available in M manual flash mode. Push the OFF/S1/S2 button to S2, the flash can also function as an optical S2 secondary flash to be suitable for TTL flash. This is useful when cameras have pre-flash function. With this function, the flash will ignore a single "pre-flash" from the main flash and will only fire in response to the second, actual flash from the main unit.

Note: S1/S2 optical control is only available in M manual flash mode.

## Technical Data

Model	Lux Senior
GN(1/1 level)	GN14(ISO100, in meters)
Lithium battery	3.7V 1700mAh
Input Parameter	5V --- 2A
Flash power	7 levels: 1/1-1/64
CCT	6000K±200K
Focal length	28mm (fixed value)
Panel display	Power: Full, 1/2, 1/4, 1/8, 1/16, 1/32, 1/64
	Aperture: F2-16
	Distance: 0.5m, 0.7m, 1m, 1.5m, 2m, 3m, 4m
	Auto f2.8 ISO100 (default value in A auto flash mode)
Optical flash	S1 optical control/S2 optical control
Working environment temperature	-10°C-50°C
Recycle time (Max. level)	< 3S
Full power flash times (1/1 level)	550times
Battery charging temperature range	0°C-60°C
SYNC	Hotshoe, SYNC cable
Dimension	84mm*114mm*176mm
Net weight	227g

\* Product design and specifications are subject to change without notice.

## Declaration of Conformity:

GODOX Photo Equipment Co.,Ltd. hereby declares that the This equipment are in compliance with the essential requirements and other relevant provisions of EU Directive 2014/35/EU. 2014/30/EU. They are allowed to be used in all EU member states.

For more information of DoC, Please click this web link:

<https://www.godox.com/eu-declaration-of-conformity/>

## FCC Statement

This device complies with part 15 of the FCC Rules. Operation is subject to the following two conditions:

- (1) This device may not cause harmful interference, and
- (2) this device must accept any interference received, including interference that may cause undesired operation.

Any Changes or modifications not expressly approved by the party responsible for compliance could void the user's authority to operate the equipment.

Note: This equipment has been tested and found to comply with the limits for a Class B digital device, pursuant to part 15 of the FCC Rules. These limits are designed to provide reasonable protection against harmful interference in a residential installation. This equipment generates uses and can radiate radio frequency energy and, if not installed and used in accordance with the instructions, may cause harmful interference to radio communications. However, there is no guarantee that interference will not occur in a particular installation. If this equipment does cause harmful interference to radio or television reception, which can be determined by turning the equipment off and on, the user is encouraged to try to correct the interference by one or more of the following measures:

- Reorient or relocate the receiving antenna.
- Increase the separation between the equipment and receiver.
- Connect the equipment into an outlet on a circuit different from that to which the receiver is connected.
- Consult the dealer or an experienced radio/TV technician for help.

## 产品保修

尊敬的用户, 本保修卡是申请保修服务的重要凭证, 请您配合销售商填写并妥善保管, 谢谢!

产品信息	型号	产品条码
用户信息	姓名	联系电话
	通信地址	
销售商信息	名称	
	联系电话	
	通信地址	
	销售日期	
备注		

注: 此表应由销售商盖章确认。

### 适用产品

本文件适用于相关《产品保修信息》(见后面说明)所列产品, 其他非属此范围的产品或部件(如促销品、赠品及其他出厂后附加的部件等)不在此保修承诺内。

### 保修期

产品及部件的相应保修期按相关的《产品保修信息》执行。保修期自产品首次购买日起算, 购买日以购买产品时保修卡登记日期为准。



#### 如何获得保修服务

您可直接与产品销售商或授权服务机构联系，也可拨打神牛产品售后服务电话，与我们联系，由我们的服务人员为您安排服务。申请保修时，您应提供有效的保修卡作为保修凭证，方可获得保修。如您不能提供有效的保修卡，则在我们确认产品或部件属于保修范围的情况下，也可以为您提供保修，但这不作为我们的义务。

#### 不适用保修的情况

如产品存在下列情况，本文件项下的保证和服务将不适用 ①产品或部件超过相应保修期；②错误或不当使用、维护或保管导致的故障或损坏，如：不当搬运；非按产品合理预期用途使用；不当插拔外接设备；跌落或外力挤压；接触或暴露于不当温度、溶剂、酸碱、水浸或潮湿环境；③由非神牛授权机构或人员安装、修理、更改、添加或拆卸造成的故障或损坏；④产品或部件原有识别信息被修改变更或删除；⑤无有效保修卡；⑥使用非合法授权、非标准或非公开发行的软件造成的故障或损坏；⑦因不可抗力或意外事件造成的故障或损坏；⑧其他非因产品本身质量问题导致的故障或损坏。遇上述情况，您应向相关责任方寻求解决，神牛对此不承担任何责任。因非在保修期或保修范围内的部件、附件或软件导致产品不能正常使用的，不是保修范围内的故障。产品使用过程中正常的脱色、磨损和消耗，不是保修范围内的故障。

### 产品保修和服务支持信息

产品的保修期和服务类型按以下《产品保修信息》执行：

产品类别	选件名称	保修期(月)	保修服务类型
部件	电路板	12	客户送修
	电池	3	客户送修
	充电器、电源线、同步线等带电性能的部件。	12	客户送修
其他	如闪光灯、造型灯泡、外壳、保护罩、锁紧装置、包装等。	无	无保修

神牛产品售后服务电话：0755-29609320-8062

## Warranty

Dear customers, as this warranty card is an important certificate to apply for our maintenance service, please fill in the following form in coordination with the seller and safe-keep it. Thank you!

Product Information	Model	Product Code Number
Customer Information	Name	Contact Number
	Address	
Seller Information	Name	
	Contact Number	
	Address	
	Date of Sale	
Note:		

Note: This form shall be sealed by the seller.

#### Applicable Products

The document applies to the products listed on the Product Maintenance Information (see below for further information). Other products or accessories (e.g. promotional items, giveaways and additional accessories attached, etc.) are not included in this warranty scope.

#### Warranty Period

The warranty period of products and accessories is implemented according to the relevant Product Maintenance Information. The warranty period is calculated from the day(purchase date) when the product is bought for the first time, And the purchase date is considered as the date registered on the warranty card when buying the product.

### How to Get the Maintenance Service

If maintenance service is needed, you can directly contact the product distributor or authorized service institutions. You can also contact the Godox after-sale service call and we will offer you service. When applying for maintenance service, you should provide valid warranty card. If you cannot provide valid warranty card, we may offer you maintenance service once confirmed that the product or accessory is involved in the maintenance scope, but that shall not be considered as our obligation.

### Inapplicable Cases

The guarantee and service offered by this document are not applicable in the following cases:  
①. The product or accessory has expired its warranty period;  
②. Breakage or damage caused by inappropriate usage, maintenance or preservation, such as improper packing, improper usage, improper plugging in/out external equipment, falling off or squeezing by external force, contacting or exposing to the improper temperature, solvent, acid, base, flooding and damp environments, etc;  
③. Breakage or damage caused by non-authorized institution or staff in the process of installation, maintenance, alternation, addition and detachment;  
④. The original identifying information of product or accessory is modified, alternated, or removed;  
⑤. No valid warranty card;  
⑥. Breakage or damage caused by using illegally authorized, nonstandard or non-public released software;  
⑦. Breakage or damage caused by force majeure or accident;  
⑧. Breakage or damage that could not be attributed to the product itself. Once met these situations above, you should seek solutions from the related responsible parties and Godox assumes no responsibility. The damage caused by parts, accessories and software that beyond the warranty period or scope is not included in our maintenance scope. The normal discoloration, abrasion and consumption are not the breakage within the maintenance scope.

## Maintenance and Service Support Information

The warranty period and service types of products are implemented according to the following Product Maintenance Information:

Product Type	Name	Maintenance Period(month)	Warranty Service Type
Parts	Circuit Board	12	Customer sends the product to designated site
	Battery	3	Customer sends the product to designated site
	Electrical parts e.g.battery charger, power cord, sync cable, etc.	12	Customer sends the product to designated site
Other Items	Flash tube, modeling lamp, lamp body, lamp cover, locking device, package, etc.	NO	Without warranty

Godox After-sale Service Call 0755-29609320-8062