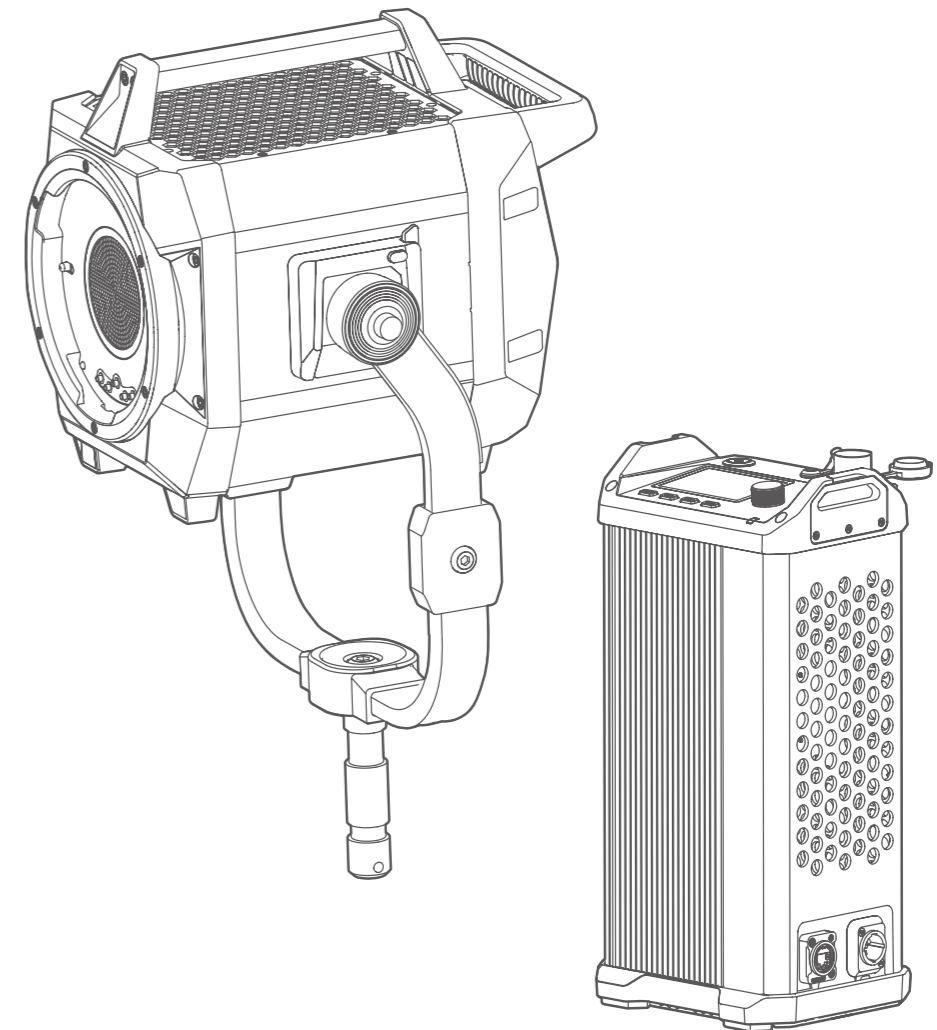


DMX 模式表版本: V1.1
控制器固件版本: V1.07

DMX Mode Specification Version: V1.1
Controller Firmware Version: V1.07

Godox



深圳市神牛摄影器材有限公司

地址: 深圳市宝安区福海街道塘尾社区耀川工业区厂房2栋

电话: 0755-29609320(8062) 传真: 0755-25723423 邮箱: godox@godox.com

GODOX Photo Equipment Co.,Ltd.

Add.: Building 2, Yaochuan Industrial Zone, Tangwei Community, Fuhai Street, Bao'an District, Shenzhen 518103, China

Tel: +86-755-29609320(8062) Fax: +86-755-25723423 E-mail: godox@godox.com

godox.com Made in China | 705-MG120R-07

KNOWLED MG1200R

DMX 模式表

DMX Mode Specification

DMX 模式表如有变更, 恕不另行通知, 可登录神牛官网 <https://www.godox.com.cn> 查看最新 DMX 模式表。
The DMX Mode Specification may subject to change without notice. Please check the latest electrical version on our official website
<https://www.godox.com>.

DMX控制优先关系：DMX > CRMX > Art-net&sACN

01: CCT 8Bit模式 & 09: CCT 16Bit模式

DMX 通道		功能	参数名	DMX值 8Bit		实际参数值 8Bit		DMX值 16Bit		实际参数值 16Bit		
8Bit	16Bit			起始值	结束值	起始值	结束值	起始值	结束值	起始值	结束值	
1	1-2	CCT	亮度	0	255	0.0%	100.0%	0	65535	0.0%	100.0%	
2	3-4			色温	0	255	1800K	10000K	0	65535	1800K	10000K
3	5-6				0	10	中性/无光效		0	04587	中性/无光效	
					11	20	全-绿-100%		04588	09830	全-绿-100%	
					21	119	-99%~-1%		09831	30145	-99%~-1%	
					120	145	中性/无光效		30146	39976	中性/无光效	
					146	244	1%-99%		39977	60292	1%-99%	
		245	255	全+绿100%		60293	65535	全+绿100%				

增强通道：用户打开该功能后 DMX 模式将新增扩展功能通道，具体新增如下表。打开增强通道将占用更多通道，默认该设置为关闭状态。

DMX 通道		功能	参数名	DMX值 8Bit		实际参数值 8Bit		DMX值 16Bit		实际参数值 16Bit		
4	7	CCT	模式	0	9	常规模式		0	9	常规模式		
				10	19	高速模式		10	19	高速模式		
				20	29	低亮模式		20	29	低亮模式		
				30	255	预留		30	255	预留		
5	8		CCT	频率	0	9	1		0	9	1	
					10	19	2		10	19	2	
					20	29	3		20	29	3	
		30			39	4		30	39	4		
		40			49	5		40	49	5		
		50			59	6		50	59	6		
		60			69	7		60	69	7		
		70			79	8		70	79	8		
		80			89	9		80	89	9		
		90			99	10		90	99	10		
		100			109	11		100	109	11		
6	9	CCT	平滑度	0	9	默认		0	9	默认		
				10	19	平滑		10	19	平滑		
				20	29	关闭		20	29	关闭		
				30	255	预留		30	255	预留		

02: HSI 8Bit 模式 & 10: HSI 16Bit 模式

DMX 通道		功能	参数名	DMX值 8Bit		实际参数值 8Bit		DMX值 16Bit		实际参数值 16Bit		
8Bit	16Bit			起始值	结束值	起始值	结束值	起始值	结束值	起始值	结束值	
1	1-2	HSI	亮度	0	255	0.0%	100.0%	0	65535	0.0%	100.0%	
2	3-4			色相	0	255	0	360	0	65535	0	360
3	5-6				饱和度	0	255	0	100	0	65535	0

增强通道：用户打开该功能后 DMX 模式将新增扩展功能通道，具体新增如下表。打开增强通道将占用更多通道，默认该设置为关闭状态。

DMX 通道		功能	参数名	DMX值 8Bit		实际参数值 8Bit		DMX值 16Bit		实际参数值 16Bit		
4	7	HSI	模式	0	9	常规模式		0	9	常规模式		
				10	19	高速模式		10	19	高速模式		
				20	29	低亮模式		20	29	低亮模式		
				30	255	预留		30	255	预留		
5	8		HSI	频率	0	9	1		0	9	1	
					10	19	2		10	19	2	
					20	29	3		20	29	3	
		30			39	4		30	39	4		
		40			49	5		40	49	5		
		50			59	6		50	59	6		
		60			69	7		60	69	7		
		70			79	8		70	79	8		
		80			89	9		80	89	9		
		90			99	10		90	99	10		
		100			109	11		100	109	11		
6	9	HSI	平滑度	0	9	默认		0	9	默认		
				10	19	平滑		10	19	平滑		
				20	29	关闭		20	29	关闭		
				30	255	预留		30	255	预留		

03: RGB 8Bit 模式 & 11: RGB 16Bit 模式

DMX 通道		功能	参数名	DMX值 8Bit		实际参数值 8Bit		DMX值 16Bit		实际参数值 16Bit			
8Bit	16Bit			起始值	结束值	起始值	结束值	起始值	结束值	起始值	结束值		
1	1-2	RGB	亮度	0	255	0.0%	100.0%	0	65535	0.0%	100.0%		
2	3-4			R (红光)	0	255	0.0%	100.0%	0	65535	0.0%	100.0%	
3	5-6				G (绿光)	0	255	0.0%	100.0%	0	65535	0.0%	100.0%
4	7-8					B (蓝光)	0	255	0.0%	100.0%	0	65535	0.0%

增强通道：用户打开该功能后 DMX 模式将新增扩展功能通道，具体新增如下表。打开增强通道将占用更多通道，默认该设置为关闭状态。

DMX 通道		功能	参数名	DMX值 8Bit		实际参数值 8Bit		DMX值 16Bit		实际参数值 16Bit		
5	9	RGB	模式	0	9	常规模式		0	9	常规模式		
				10	19	高速模式		10	19	高速模式		
				20	29	低亮模式		20	29	低亮模式		
				30	255	预留		30	255	预留		
6	10		RGB	频率	0	9	1		0	9	1	
					10	19	2		10	19	2	
					20	29	3		20	29	3	
		30			39	4		30	39	4		
		40			49	5		40	49	5		
		50			59	6		50	59	6		
		60			69	7		60	69	7		
		70			79	8		70	79	8		
		80			89	9		80	89	9		
		90			99	10		90	99	10		
		100			109	11		100	109	11		
7	11	RGB	平滑度	0	9	默认		0	9	默认		
				10	19	平滑		10	19	平滑		
				20	29	关闭		20	29	关闭		
				30	255	预留		30	255	预留		

04: RGBW 8Bit 模式 & 12: RGBW 16Bit 模式

DMX 通道		功能	参数名	DMX值 8Bit		实际参数值 8Bit		DMX值 16Bit		实际参数值 16Bit				
8Bit	16Bit			起始值	结束值	起始值	结束值	起始值	结束值	起始值	结束值			
1	1-2	RGBW	亮度	0	255	0.0%	100.0%	0	65535	0.0%	100.0%			
2	3-4			R (红光)	0	255	0.0%	100.0%	0	65535	0.0%	100.0%		
3	5-6				G (绿光)	0	255	0.0%	100.0%	0	65535	0.0%	100.0%	
4	7-8					B (蓝光)	0	255	0.0%	100.0%	0	65535	0.0%	100.0%
5	9-10						W (白光)	0	255	0.0%	100.0%	0	65535	0.0%

增强通道：用户打开该功能后 DMX 模式将新增扩展功能通道，具体新增如下表。打开增强通道将占用更多通道，默认该设置为关闭状态。

DMX 通道		功能	参数名	DMX值 8Bit		实际参数值 8Bit		DMX值 16Bit		实际参数值 16Bit		
6	11	RGBW	模式	0	9	常规模式		0	9	常规模式		
				10	19	高速模式		10	19	高速模式		
				20	29	低亮模式		20	29	低亮模式		
				30	255	预留		30	255	预留		
7	12		RGBW	频率	0	9	1		0	9	1	
					10	19	2		10	19	2	
					20	29	3		20	29	3	
		30			39	4		30	39	4		
		40			49	5		40	49	5		
		50			59	6		50	59	6		
		60			69	7		60	69	7		
		70			79	8		70	79	8		
		80			89	9		80	89	9		
		90			99	10		90	99	10		
		100			109	11		100	109	11		
8	13	RGBW	平滑度	0	9	默认		0	9	默认		
				10	19	平滑		10	19	平滑		
				20	29	关闭		20	29	关闭		
				30	255	预留		30	255	预留		

13: X-Y 16Bit 模式

DMX 通道	功能	参数名	DMX值 16Bit		实际参数值 16Bit	
16Bit	X-Y		起始值	结束值	起始值	结束值
1-2		亮度	0	65535	0.0%	100.0%
3-4		X	0	65535	0	0.8500
5-6		Y	0	65535	0	0.8500

增强通道: 用户打开该功能后 DMX 模式将新增扩展功能通道, 具体新增如下表。打开增强通道将占用更多通道, 默认该设置为关闭状态。

DMX 通道	功能	参数名	DMX值 16Bit		实际参数值 16Bit
7		模式	0	9	常规模式
			10	19	高速模式
			20	29	低亮模式
			30	255	预留
8	X-Y	频率	0	9	1
			10	19	2
			20	29	3
			30	39	4
			40	49	5
			50	59	6
			60	69	7
			70	79	8
			80	89	9
			90	99	10
			100	109	11
9		平滑度	0	9	默认
			10	19	平滑
			20	29	关闭
			30	255	预留

计算公式

计算亮度

8Bit

$$\text{DMX 数值} = \frac{\text{亮度数值}}{0.3922}$$

$$\text{亮度数值} = \text{DMX 数值} \times 0.3922$$

16Bit

$$\text{DMX 数值} = \frac{\text{亮度数值}}{0.001526}$$

$$\text{亮度数值} = \text{DMX 数值} \times 0.001526$$

计算色温

8Bit

$$\text{DMX 数值} = \frac{\text{色温数值}-1800}{32.1568}$$

$$\text{色温数值} = \text{DMX 数值} \times 32.1568 + 1800$$

16Bit

$$\text{DMX 数值} = \frac{\text{色温数值}-1800}{0.1251}$$

$$\text{色温数值} = \text{DMX 数值} \times 0.1251 + 1800$$

DMX Control Priority: DMX > CRMX > Art-net&sACN

01: CCT 8Bit Mode & 09: CCT 16Bit Mode

DMX channel		Function	Parameter	DMX value 8Bit		Actual value 8Bit		DMX value 16Bit		Actual value 16Bit		
8Bit	16Bit	CCT	Brightness	Starting	Ending	Starting	Ending	Starting	Ending	Starting	Ending	
1	1-2			0	255	0.0%	100.0%	0	65535	0.0%	100.0%	
2	3-4			CCT	0	255	1800K	10000K	0	65535	1800K	10000K
3	5-6			GM	0	10	Neutral/No Effect		0	04587	Neutral/No Effect	
					11	20	Full Minus Green-100%		04588	09830	Full Minus Green-100%	
					21	119	-99%~-1%		09831	30145	-99%~-1%	
					120	145	Neutral/No Effect		30146	39976	Neutral/No Effect	
					146	244	1%-99%		39977	60292	1%-99%	
					245	255	Full Plus Green 100%		60293	65535	Full Plus Green 100%	

Extend DMX Channels: The DMX mode will add extended channels when this function is turned on, as shown in the following table. Turning on the extend DMX channels will take up more channels, and this setting is off by default.

DMX channel		Function	Parameter	DMX value 8Bit		Actual value 8Bit		DMX value 16Bit		Actual value 16Bit	
4	7	CCT	Mode	0	9	Normal		0	9	Normal	
				10	19	Highspeed		10	19	Highspeed	
				20	29	Low End		20	29	Low End	
				30	255	Preset		30	255	Preset	
5	8		Frequency	0	9	1		0	9	1	
				10	19	2		10	19	2	
				20	29	3		20	29	3	
				30	39	4		30	39	4	
				40	49	5		40	49	5	
				50	59	6		50	59	6	
		60		69	7		60	69	7		
		70		79	8		70	79	8		
		80		89	9		80	89	9		
		90		99	10		90	99	10		
		100		109	11		100	109	11		
6	9	Smoothing	110	255	Preset		110	255	Preset		
			0	9	Default		0	9	Default		
			10	19	Smooth		10	19	Smooth		
			20	29	Off		20	29	Off		
				30	255	Preset		30	255	Preset	

02: HSI 8Bit Mode & 10: HSI 16Bit Mode

DMX channel		Function	Parameter	DMX value 8Bit		Actual value 8Bit		DMX value 16Bit		Actual value 16Bit	
8Bit	16Bit	HSI	Brightness	Starting	Ending	Starting	Ending	Starting	Ending	Starting	Ending
1	1-2			0	255	0.0%	100.0%	0	65535	0.0%	100.0%
2	3-4			Hue	0	255	0	360	0	65535	0
3	5-6	Saturation	0	255	0	100	0	65535	0	100	

Extend DMX Channels: The DMX mode will add extended channels when this function is turned on, as shown in the following table. Turning on the extend DMX channels will take up more channels, and this setting is off by default.

DMX channel		Function	Parameter	DMX value 8Bit		Actual value 8Bit		DMX value 16Bit		Actual value 16Bit	
4	7	HSI	Mode	0	9	Normal		0	9	Normal	
				10	19	Highspeed		10	19	Highspeed	
				20	29	Low End		20	29	Low End	
				30	255	Preset		30	255	Preset	
5	8		Frequency	0	9	1		0	9	1	
				10	19	2		10	19	2	
				20	29	3		20	29	3	
				30	39	4		30	39	4	
				40	49	5		40	49	5	
				50	59	6		50	59	6	
		60		69	7		60	69	7		
		70		79	8		70	79	8		
		80		89	9		80	89	9		
		90		99	10		90	99	10		
		100		109	11		100	109	11		
6	9	Smoothing	110	255	Preset		110	255	Preset		
			0	9	Default		0	9	Default		
			10	19	Smooth		10	19	Smooth		
			20	29	Off		20	29	Off		
				30	255	Preset		30	255	Preset	

03: RGB 8Bit Mode & 11: RGB 16Bit Mode

DMX channel		Function	Parameter	DMX value 8Bit		Actual value 8Bit		DMX value 16Bit		Actual value 16Bit	
8Bit	16Bit			Starting	Ending	Starting	Ending	Starting	Ending	Starting	Ending
1	1-2	RGB	Brightness	0	255	0.0%	100.0%	0	65535	0.0%	100.0%
2	3-4		R (Red light)	0	255	0.0%	100.0%	0	65535	0.0%	100.0%
3	5-6		G (Green light)	0	255	0.0%	100.0%	0	65535	0.0%	100.0%
4	7-8		B (Blue light)	0	255	0.0%	100.0%	0	65535	0.0%	100.0%

Extend DMX Channels: The DMX mode will add extended channels when this function is turned on, as shown in the following table. Turning on the extend DMX channels will take up more channels, and this setting is off by default.

DMX channel		Function	Parameter	DMX value 8Bit		Actual value 8Bit		DMX value 16Bit		Actual value 16Bit	
5	9	RGB	Mode	0	9	Normal		0	9	Normal	
				10	19	Highspeed		10	19	Highspeed	
				20	29	Low End		20	29	Low End	
				30	255	Preset		30	255	Preset	
6	10		Frequency	0	9	1		0	9	1	
				10	19	2		10	19	2	
				20	29	3		20	29	3	
				30	39	4		30	39	4	
				40	49	5		40	49	5	
			50	59	6		50	59	6		
			60	69	7		60	69	7		
			70	79	8		70	79	8		
			80	89	9		80	89	9		
			90	99	10		90	99	10		
		100	109	11		100	109	11			
		Preset		110	255	Preset					
7	11	Smoothing	0	9	Default		0	9	Default		
			10	19	Smooth		10	19	Smooth		
			20	29	Off		20	29	Off		
			30	255	Preset		30	255	Preset		

04: RGBW 8Bit Mode & 12: RGBW 16Bit Mode

DMX channel		Function	Parameter	DMX value 8Bit		Actual value 8Bit		DMX value 16Bit		Actual value 8Bit	
8Bit	16Bit			Starting	Ending	Starting	Ending	Starting	Ending	Starting	Ending
1	1-2	RGBW	Brightness	0	255	0.0%	100.0%	0	65535	0.0%	100.0%
2	3-4		R (Red light)	0	255	0.0%	100.0%	0	65535	0.0%	100.0%
3	5-6		G (Green light)	0	255	0.0%	100.0%	0	65535	0.0%	100.0%
4	7-8		B (Blue light)	0	255	0.0%	100.0%	0	65535	0.0%	100.0%
5	9-10		W (White light)	0	255	0.0%	100.0%	0	65535	0.0%	100.0%

Extend DMX Channels: The DMX mode will add extended channels when this function is turned on, as shown in the following table. Turning on the extend DMX channels will take up more channels, and this setting is off by default.

DMX channel		Function	Parameter	DMX value 8Bit		Actual value 8Bit		DMX value 16Bit		Actual value 16Bit	
6	11	RGBW	Mode	0	9	Normal		0	9	Normal	
				10	19	Highspeed		10	19	Highspeed	
				20	29	Low End		20	29	Low End	
				30	255	Preset		30	255	Preset	
7	12		Frequency	0	9	1		0	9	1	
				10	19	2		10	19	2	
				20	29	3		20	29	3	
				30	39	4		30	39	4	
				40	49	5		40	49	5	
			50	59	6		50	59	6		
			60	69	7		60	69	7		
			70	79	8		70	79	8		
			80	89	9		80	89	9		
			90	99	10		90	99	10		
		100	109	11		100	109	11			
		Preset		110	255	Preset					
8	13	Smoothing	0	9	Default		0	9	Default		
			10	19	Smooth		10	19	Smooth		
			20	29	Off		20	29	Off		
			30	255	Preset		30	255	Preset		

05: CCT+HSI 8Bit Mode

DMX channel		Function	Parameter	DMX value 8Bit		Actual value 8Bit		
8Bit		CCT+HSI	Brightness	Starting	Ending	Starting	Ending	
1				0	255	0.0%	100.0%	
2				CCT	0	255	1800K	10000K
3				GM	0	10	Neutral/No Effect	
					11	20	Full Minus Green-100%	
			21		119	-99%~-1%		
			120		145	Neutral/No Effect		
			146		244	1%-99%		
			245	255	Full Plus Green 100%			
4			Dissolve	0	255	0	100	
5			Hue	0	255	0	360	
6			Saturation	0	255	0	100	

Extend DMX Channels: The DMX mode will add extended channels when this function is turned on, as shown in the following table. Turning on the extend DMX channels will take up more channels, and this setting is off by default.

DMX channel		Function	Parameter	DMX value 8Bit		Actual value 8Bit	
7		CCT+HSI	Mode	0	9	Normal	
				10	19	Highspeed	
				20	29	Low End	
				30	255	Preset	
8			Frequency	0	9	1	
				10	19	2	
				20	29	3	
				30	39	4	
				40	49	5	
			50	59	6		
			60	69	7		
			70	79	8		
			80	89	9		
			90	99	10		
		100	109	11			
		Preset					
9		Smoothing	0	9	Default		
			10	19	Smooth		
			20	29	Off		
			30	255	Preset		

06: CCT+RGBW 8Bit Mode

DMX channel		Function	Parameter	DMX value 8Bit		Actual value 8Bit		
8Bit		CCT+RGBW	Brightness	Starting	Ending	Starting	Ending	
1				0	255	0.0%	100.0%	
2				CCT	0	255	1800K	10000K
3				GM	0	10	Neutral/No Effect	
					11	20	Full Minus Green-100%	
			21		119	-99%~-1%		
			120		145	Neutral/No Effect		
			146		244	1%-99%		
			245	255	Full Plus Green 100%			
4			Dissolve	0	255	0	100	
5			R (Red light)	0	255	0.0%	100.0%	
6			G (Green light)	0	255	0.0%	100.0%	
7			B (Blue light)	0	255	0.0%	100.0%	
8			W (White light)	0	255	0.0%	100.0%	

Extend DMX Channels: The DMX mode will add extended channels when this function is turned on, as shown in the following table. Turning on the extend DMX channels will take up more channels, and this setting is off by default.

DMX channel		Function	Parameter	DMX value 8Bit		Actual value 8Bit	
9		CCT+RGBW	Mode	0	9	Normal	
				10	19	Highspeed	
				20	29	Low End	
				30	255	Preset	
10			Frequency	0	9	1	
				10	19	2	
				20	29	3	
				30	39	4	
				40	49	5	
			50	59	6		
			60	69	7		
			70	79	8		
			80	89	9		
			90	99	10		
		100	109	11			
		Preset					
11		Smoothing	0	9	Default		
			10	19	Smooth		
			20	29	Off		
			30	255	Preset		

L-GEL

DMX channel	COR. (in total 39)	
	Name	Model
0-1	Double CTB	200
2-3	Full CTB	201
4-5	3/4 CTB	281
6-7	1/2 CTB	202
8-9	1/4 CTB	203
10-11	1/8 CTB	218
12-13	Double CTO	287
14-15	CTO Full	204
16-17	CTO 3/4 CTO	285
18-19	1/2 CTO	205
20-21	1/4 CTO	206
22-23	1/8 CTO	223
24-25	1 1/2 CTB	283
26-27	1 1/2 CTO	286
28-29	Full CTS	441
30-31	1/2 CTS	442
32-33	1/4 CTS	443
34-35	1/8 CTS	444
36-37	Full CTO + .3 ND	207
38-39	Full CTO + .6 ND	208
40-41	L.C.T. Yellow (Y1)	212
42-43	White Flame Green	213
44-45	LEE Fluorescent Green	219
46-47	Super Correction L.C.T.	230
48-49	Yellow Super Correction	232
50-51	W.F. Green	236
52-53	H.M.I. (to Tungsten)	237
54-55	C.I.D. (to Tungsten)	238
56-57	C.S.I. (to Tungsten)	241
58-59	LEE Fluorescent 5700 Kelvin	242
60-61	LEE Fluorescent 4300 Kelvin	243
62-63	LEE Fluorescent 3600 Kelvin	244
64-65	LEE Plus Green	245
66-67	1/2 Plus Green	246
68-69	1/4 Plus Green	278
70-71	1/8 Plus Green	247
72-73	LEE Minus Green	248
74-75	1/2 Minus Green	249
76-77	1/4 Minus Green	279

DMX channel	COLOR. (in total 89)	
	Name	Model
0-1	Rose Pink	2
2-3	Lavender Tint	3
4-5	Medium Bastard Amber	4
6-7	Pale Yellow	7
8-9	Dark Salmon	8
10-11	Pale Amber Gold	9
12-13	Medium Yellow	10
14-15	Straw Tint	13
16-17	Surprise Peach	17
18-19	Fire	19
20-21	Medium Amber	20
22-23	Gold Amber	21
24-25	Dark Amber	22
26-27	Scarlet	24
28-29	Sunset Red	25
30-31	Bright Red	26
32-33	Light Pink	35
34-35	Medium Pink	36
36-37	Dark Magenta	46
38-39	Rose Purple	48
40-41	Light Lavender	52
42-43	Paler Lavender	53
44-45	Lavender	58
46-47	Mist Blue	61
48-49	Pale Blue	63
50-51	Sky Blue	68
52-53	Evening Blue	75
54-55	Just Blue	79
56-57	Deeper Blue	85
58-59	Lime Green	88
60-61	Moss Green	89
62-63	Dark Yellow Green	90
64-65	Spring Yellow	100
66-67	Yellow	101
68-69	Light Amber	102
70-71	Straw	103
72-73	Deep Amber	104
74-75	Primary Red	106
76-77	Light Rose	107
78-79	English Rose	108
80-81	Light Salmon	109
82-83	Middle Rose	110
84-85	Dark Pink	111
86-87	Magenta	113
88-89	Peacock Blue	115
90-91	Steel Blue	117
92-93	Light Blue	118
94-95	Deep Blue	120
96-97	LEE Green	121
98-99	Fern Green	122
100-101	Dark Green	124
102-103	Smokey Pink	127
104-105	Bright Pink	128
106-107	Marine Blue	131
108-109	Golden Amber	134
110-111	Deep Golden Amber	135
112-113	Pale Lavender	136
114-115	Special Lavender	137
116-117	Pale Green	138
118-119	Summer Blue	140
120-121	Pale Violet	142
122-123	Pale Navy Blue	143
124-125	No Color Blue	144
126-127	Apricot	147
128-129	Bright Rose	148
130-131	Gold Tint	151
132-133	Pale Gold	152
134-135	Pale Salmon	153
136-137	Pale Rose	154
138-139	Chocolate	156
140-141	Pink	157
142-143	No Color Straw	159
144-145	Slate Blue	161
146-147	Bastard Amber	162
148-149	Flame Red	164
150-151	Daylight Blue	165
152-153	Lilac Tint	169
154-155	Deep Lavender	170
156-157	Dark Steel Blue	174
158-159	Loving Amber	176
160-161	Dark Lavender	180
162-163	Light Red	182
164-165	Flesh Pink	192
166-167	Surprise Pink	194
168-169	Zenith Blue	195
170-171	True Blue	196
172-173	Alice Blue	197
174-175	Palace Blue	198
176-177	Regal Blue	199

DMX channel	600 (in total 9)	
	Name	Model
0-1	Arctic White	600
2-3	Silver	601
4-5	Platinum	602
6-7	Moonlight White	603
8-9	Full CT 85	604
10-11	Industry Sodium	650
12-13	HI Sodium	651
14-15	Urban Sodium	652
16-17	LO Sodium	653

DMX channel	C.O.S. (in total 18)	
	Name	Model
0-1	Cosmetic Peach	184
2-3	Cosmetic Silver Rose	186
4-5	Cosmetic Rouge	187
6-7	Cosmetic Highlight	188
8-9	Cosmetic Silver Moss	189
10-11	Cosmetic Aqua Blue	191
12-13	Lily Frost	705
14-15	Shanklin Frost	717
16-17	Half Shanklin Frost	718
18-19	Durham Daylight Frost	720
20-21	Hampshire Rose	749
22-23	Durham Frost	750
24-25	Soft Amber Key 1	774
26-27	Soft Amber Key 2	775
28-29	Moroccan Frost	791
30-31	Blue Diffusion	217
32-33	Blue Frost	221
34-35	Daylight Blue frost	224

DMX channel	700 (in total 41)	
	Name	Model
0-1	Perfect Lavender	700
2-3	Provence	701
4-5	Special Pale Lavender	702
6-7	Cold Lavender	703
8-9	Lily	704
10-11	King Fals Lavender	706
12-13	Cool Lavender	708
14-15	Electric Lilac	709
16-17	Spir Special Blue	710
18-19	Cold Blue	711
20-21	Bedford Blue	712
22-23	Elysian Blue	714
24-25	Cabana Blue	715
26-27	Mikkel Blue	716
28-29	Colour Wash Blue	719
30-31	Berry Blue	721
32-33	Virgin Blue	723
34-35	Ocean Blue	724
36-37	Old Steel Blue	725
38-39	Steel Green	728
40-41	Liberty Green	730
42-43	Dirty Ice	731
44-45	Damp Squib	733
46-47	JAS Green	738
48-49	Bram Brown	742
50-51	Dirty White	744
52-53	Brown	746
54-55	Easy White	747
56-57	Seedy Pink	748
58-59	Wheat	763
60-61	Sun Colour Straw	764
62-63	LEE Yellow	765
64-65	Cardbox Amber	773
66-67	Nectarine	776
68-69	Millenium Gold	778
70-71	Bastard Pink	779
72-73	Terry Red	781
74-75	Blood Red	789
76-77	Moroccan Pink	790
78-79	Pretty n'Pink	794
80-81	Magical Magenta	795

13: X-Y 16Bit Mode

DMX channe	Function	Parameter	DMX value 16Bit		Actual value 16Bit	
			Starting	Ending	Starting	Ending
16Bit	X-Y	Brightness	0	65535	0.0%	100.0%
1-2			0	65535	0	0.8500
3-4			0	65535	0	0.8500
5-6			0	65535	0	0.8500

Extend DMX Channels: The DMX mode will add extended channels when this function is turned on, as shown in the following table. Turning on the extend DMX channels will take up more channels, and this setting is off by default.

DMX channel	Function	Parameter	DMX value 16Bit		Actual value 16Bit
			Starting	Ending	Actual value 16Bit
7		Mode	0	9	Normal
			10	19	Highspeed
			20	29	Low End
			30	255	Preset
8	X-Y	Frequency	0	9	1
			10	19	2
			20	29	3
			30	39	4
			40	49	5
			50	59	6
			60	69	7
			70	79	8
			80	89	9
			90	99	10
			100	109	11
9		Smoothing	0	9	Default
			10	19	Smooth
			20	29	Off
			30	255	Preset

Calculation Formula:

Brightness

8Bit

16Bit

$$DMX\ value = \frac{Brightness\ value}{0.3922}$$

$$DMX\ value = \frac{Brightness\ value}{0.001526}$$

Brightness value = DMX value × 0.3922

Brightness value = DMX value × 0.001526

CCT

8Bit

16Bit

$$DMX\ value = \frac{CCT\ value - 1800}{32.1568}$$

$$DMX\ value = \frac{CCT\ value - 1800}{0.1251}$$

CCT value = DMX value × 32.1568 + 1800

CCT value = DMX value × 0.1251 + 1800